

N15D

Double carriage

Ordering method

N15D-20							RCX222HP		R		
Model	Lead designation	Installation direction	Cable carrier specification	Option	Stroke	Cable length	Controller ^{Note 1}	Usable for CE	Regenerative unit	I/O selection 1	I/O selection 2
		H: Horizontal installation W: Wall installation	S: Standard Cable carrier M: Optional Cable carrier	Grease type None: Standard GC: Clean	250 to 1750 (100mm pitch)	3L: 3.5m 5L: 5m 10L: 10m 3K/5K/10K (Flexible cable) ^{Note 5}	RCX222HP SR1-X (2 units) ^{Note 2} TS-X (2 units) ^{Note 2} RDV-X (2 units) ^{Note 2}	No entry : Standard E: CE marking	R: RG2	N: NPN ^{Note 3} P: PNP CC: CC-Link DN: DeviceNet TM PB: PROFIBUS EN: Ethernet ^{Note 3}	No entry: None NT: OPDIO24/16 (NPN) ^{Note 3} Pt: OPDIO24/17 (PNP) EN: Ethernet ^{Note 3, Note 4}

Note 1. To find controller selection options for other than the RCX222HP, see the ordering method on each controller page.

Note 2. 2 units are required when using SR1-X, TS-X or RDV-X.

Note 3. NPN and Ethernet cannot be selected when using CE marking.

Note 4. Only when you have selected CC, DN or PB for Input/Output selection 1, you can select EN for Input/Output selection 2.

Note 5. If a flexible cable is needed for the SR1-X, TS-X, or RDV-X, then select 3K/5K/10K. On the RCX222HP, the standard cable is a flexible cable, so enter 3L/5L/10L when ordering.

Specifications

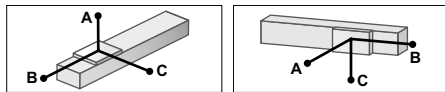
AC servo motor output (W)	400
Repeatability ^{Note 1} (mm)	+/-0.01
Deceleration mechanism	Ball screw $\phi 15$ (Class C7)
Ball screw lead (mm)	20
Maximum speed ^{Note 2} (mm/sec)	1200
Maximum payload (kg)	50
Rated thrust (N)	339
Stroke (mm)	250 to 1750 (100mm pitch)
Overall length (mm)	Stroke+330
Maximum dimensions of cross section of main unit (mm)	W145 x H120
Cable length (m)	Standard: 3.5 / Option: 5.10
Linear guide type	4 rows of circular arc grooves x 2 rail
Position detector	Resolvers ^{Note 3}
Resolution (Pulse/rotation)	16384

Note 1. Positioning repeatability in one direction.

Note 2. The maximum speed may not be reached when the moving distance is short.

Note 3. Position detectors (resolvers) are common to incremental and absolute specifications. If the controller has a backup function then it will be absolute specifications.

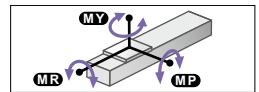
Allowable overhang^{Note}



Horizontal installation (Unit: mm)	Horizontal installation (Unit: mm)			Wall installation (Unit: mm)	Wall installation (Unit: mm)			
	A	B	C		A	B	C	
Lead 20	10kg	3048	2322	1259	10kg	1258	1823	2449
	30kg	1489	841	500	30kg	428	545	1039
	50kg	1278	544	344	50kg	248	289	749

Note. Distance from center of slider top to center of gravity of object being carried at a guide service life of 10,000 km.

Static loading moment



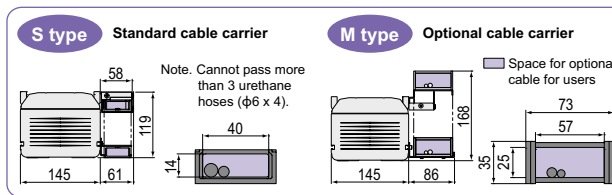
(Unit: N·m)		
MY	MP	MR
691	692	608

Controller

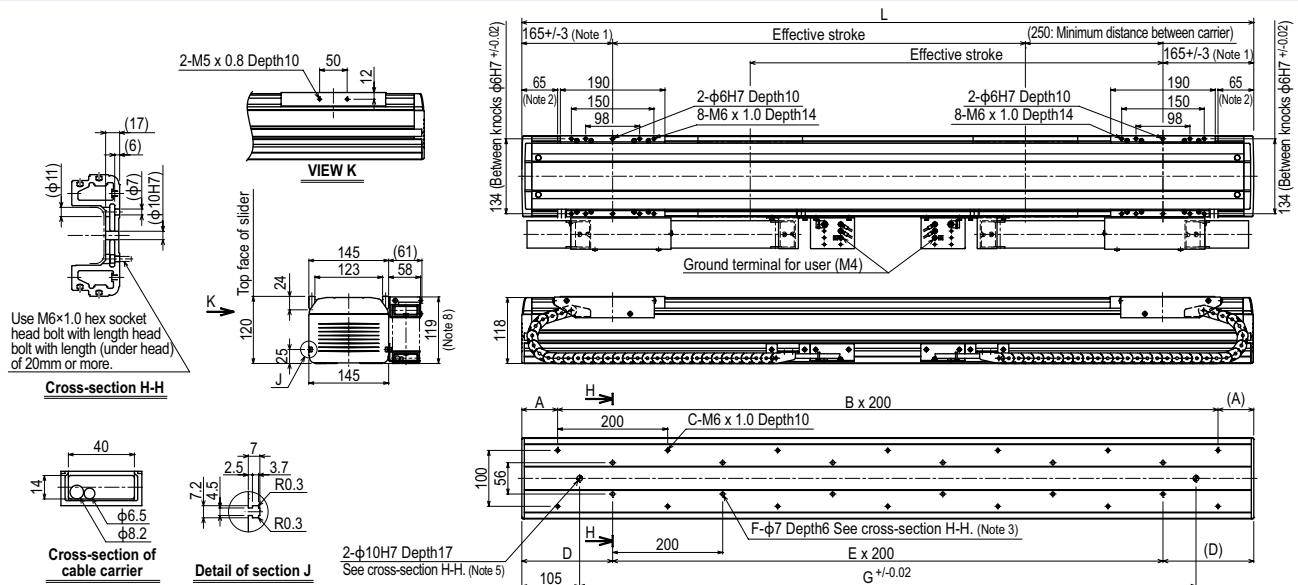
Controller	Operation method
RCX222HP-R	Programming / I/O point trace / Remote command / Operation using RS-232C communication
SR1-X20-R ^{Note}	I/O point trace / Remote command
TS-X220-R ^{Note}	Pulse train control
RDV-X20-RBR1 ^{Note}	

Note. 2 units are required when using SR-1, TS-X or RDV-X.

Cable carrier for users



N15D: Horizontal installation / Standard Cable carrier specification



Note 1. Position of table carriage when searched to the origin.

Note 2. Stop positions are determined by the mechanical stoppers at both ends.

Note 3. When using $\phi 7$ holes for installation, do not use a washer, spring washer, etc. in the main unit.

Note 4. If the model is a standard cable carrier specification, it is not possible to pass 3 or more $\phi 6 \times 4$ urethane air hoses.

Note 5. When using a $\phi 10H7$ hole, make sure that the pin does not go into deeper than as shown in the drawing.

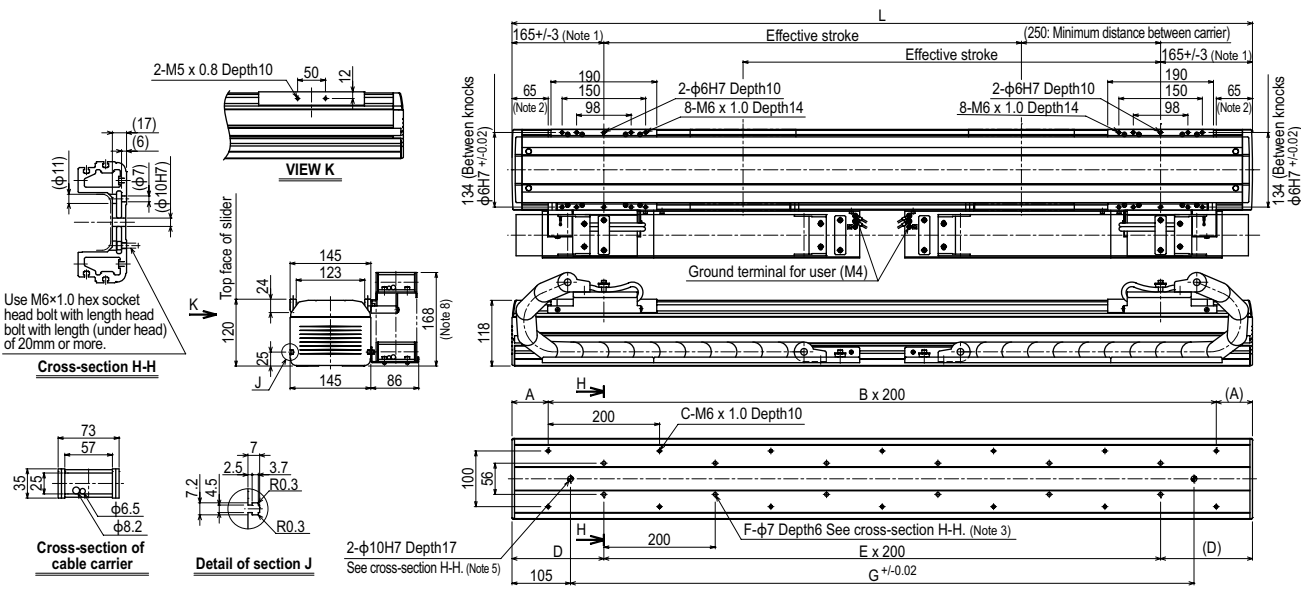
Note 6. Contact us for vertical installation.

Note 7. Weight of models with no brake. The weight of brake-attached models is 1 kg heavier than the models with no brake shown in the table.

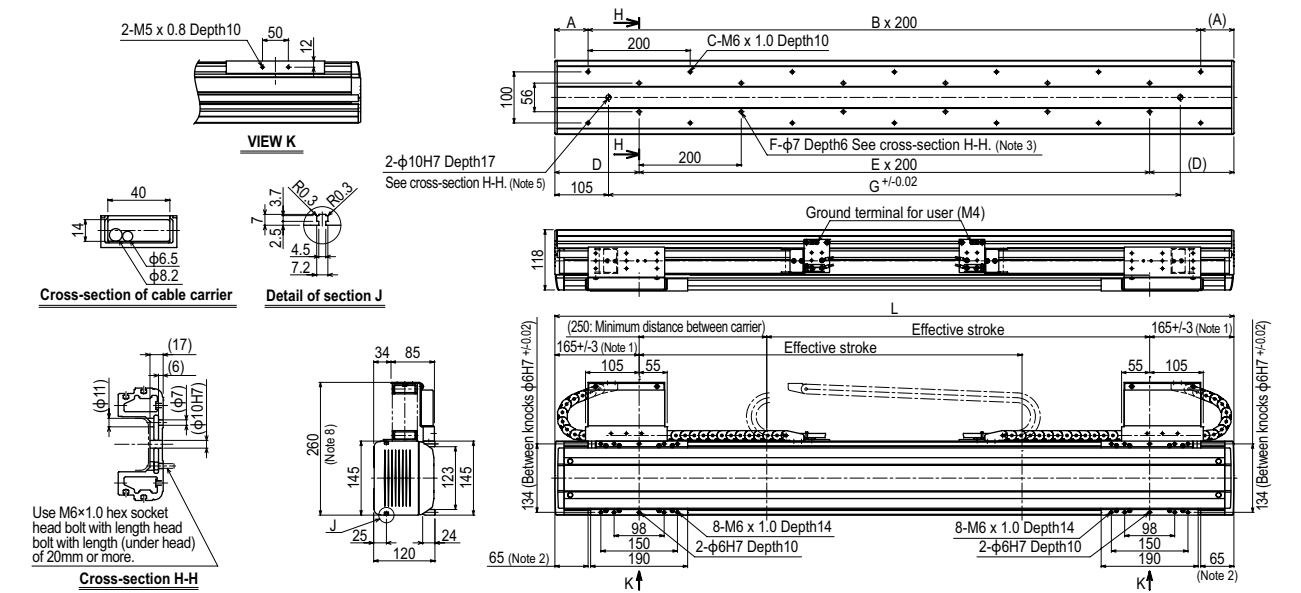
Note 8. Depending on the stroke and the operating conditions, the cable carrier bending radius might be larger, making it higher than the dimensions shown in the diagram.

Effective stroke	250	350	450	550	650	750	850	950	1050	1150	1250	1350	1450	1550	1650	1750
L	830	930	1030	1130	1230	1330	1430	1530	1630	1730	1830	1930	2030	2130	2230	2330
A	15	65	15	65	15	65	15	65	15	65	15	65	15	65	15	65
B	4	4	5	5	6	6	7	7	8	8	9	9	10	10	11	11
C	10	10	12	12	14	14	16	16	18	18	20	20	22	22	24	24
D	115	165	115	165	115	165	115	165	115	165	115	165	115	165	115	165
E	3	3	4	4	5	5	6	6	7	7	8	8	9	9	10	10
F	8	8	10	10	12	12	14	14	16	16	18	18	20	20	22	22
G	620	720	820	920	1020	1120	1220	1320	1420	1520	1620	1720	1820	1920	2020	2120
Weight (kg) ^{Note 7}	24	26	27	29	30	32	33	35	36	38	39	40	42	43	45	46

N15D: Horizontal installation / Optional Cable carrier specification



N15D: Wall installation / Standard Cable carrier specification



N15D: Wall installation / Optional Cable carrier specification

