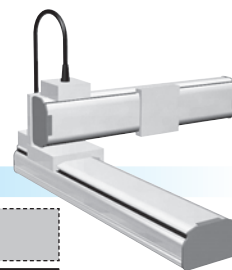


# SXYx 2 axes

● Arm type ● Whipover



## Ordering method

<b>SXYx - S</b>					<b>RCX222</b>				
<b>Model</b>	<b>Cable</b>	<b>Combination</b>	<b>X-axis stroke</b>	<b>Y-axis stroke</b>	<b>Cable length</b>	<b>Controller</b>	<b>Usable for CE</b>	<b>Input/Output selection 1</b>	<b>Input/Output selection 2</b>
A1			15 to 85cm	15 to 65cm	3L: 3.5m (Standard) 5L: 5m 10L: 10m	RCX222 DRCX1005	No entry: Standard E: CE marking	N: NPN <sup>Note 1</sup> P: PNP CC: CC-Link DN: DeviceNet PB: Profibus EN: Ethernet <sup>Note 1</sup> YC: YC-Link <sup>Note 2</sup>	No entry: None N1: OP.DIO24/16 (NPN) <sup>Note 1</sup> P1: OP.DIO24/17 (PNP) EN: Ethernet <sup>No e 1 No e 3</sup>

Note 1. NPN and Ethernet cannot be selected if using CE marking.  
 Note 2. Available only for the master.  
 Note 3. Only when CC or DN or PB was selected for I/O select 1 above. EN can be selected in I/O select 2.

## Specification

	X-axis	Y-axis
<b>Axis construction</b> <sup>Note 1</sup>	F14H	F14
<b>AC servo motor output (W)</b>	200	100
<b>Repeatability</b> <sup>Note 2</sup> (mm)	+/-0.01	+/-0.01
<b>Drive system</b>	Ball screw (Class C7)	Ball screw (Class C7)
<b>Ball screw lead (Deceleration ratio) (mm)</b>	20	20
<b>Maximum speed</b> <sup>Note 3</sup> (mm/sec)	1200	1200
<b>Moving range (mm)</b>	150 to 850	150 to 650
<b>Robot cable length (m)</b>	Standard: 3.5 Option: 5,10	

Note 1. Use caution that the flame machining (installation holes, tap holes) differs from single-axis robots.  
 Note 2. Positioning repeatability in one direction.  
 Note 3. When the X-axis stroke is longer than 750mm, resonance of the ball screw may occur depending on the operation conditions (critical speed). In this case, reduce the speed setting on the program by referring to the maximum speeds shown in the table below.

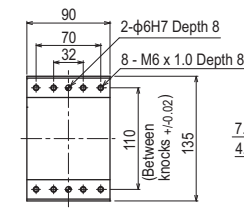
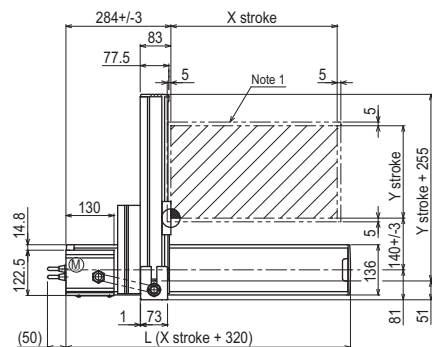
## Maximum payload (kg)

Y stroke (mm)	XY 2 axes
150	20
250	17
350	15
450	13
550	11
650	9

## Controller

Controller	Operation method
RCX222	Programming / I/O point trace / Remote command / Operation using RS-232C communication
DRCX1005	

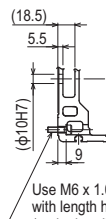
## SXYx 2 axes (A1)



Detail of section A

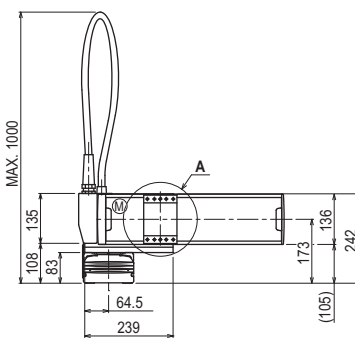
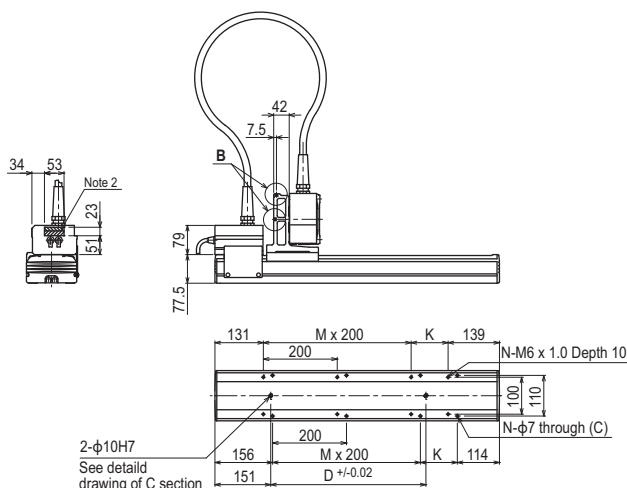


Detail of section B



Detail of section C

Use M6 x 1.0 hex socket head bolt with length head bolt with length (under head) of 20mm or more.

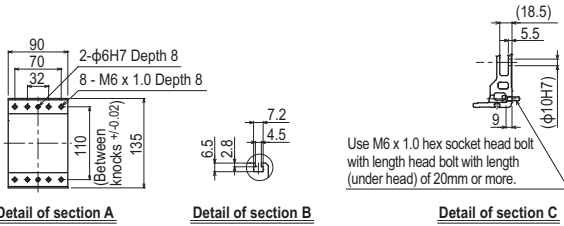


X stroke	150	250	350	450	550	650	750	850
<b>L</b>	470	570	670	770	870	970	1070	1170
<b>K</b>	200	100	200	100	200	100	200	100
<b>D</b>	240	240	420	420	600	600	780	960
<b>M</b>	0	1	1	2	2	3	3	4
<b>N</b>	4	6	6	8	8	10	10	12
<b>Y stroke</b>	150	250	350	450	550	650		
<b>Maximum speed for each stroke (mm/sec)</b> <sup>No e 3</sup>	X-axis		1200			960		780
<b>Speed setting</b>			-			80%		65%

Note 1. The moving range when returning to origin and the stop position when stopping by the mechanical stopper.  
 Note 2. The shaded position indicates a user cable extraction port.

Note 3. When the X-axis stroke is longer than 750mm, resonance of the ball screw may occur depending on the operation conditions (critical speed). In this case, reduce the speed setting on the program by referring to the maximum speeds shown in the table above.

SXYx 2 axes **A2**

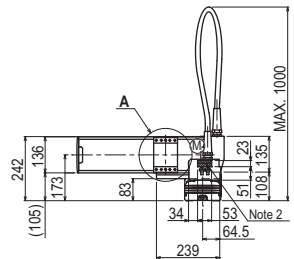
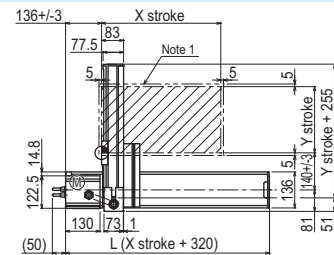


Detail of section A

Detail of section B

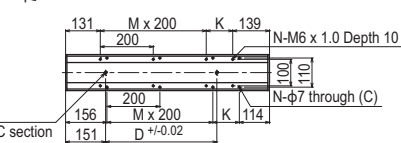
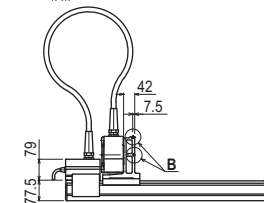
Detail of section C

Use M6 x 1.0 hex socket head bolt with length head bolt with length (under head) of 20mm or more.

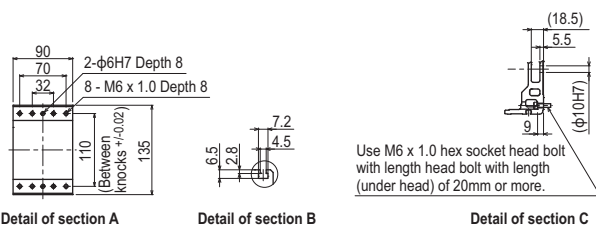


2-φ10H7

See detail drawing of C section



SXYx 2 axes **A3**

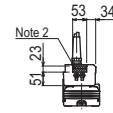
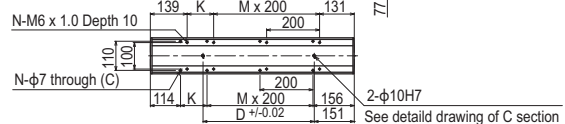
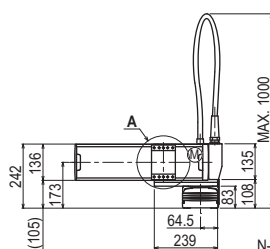
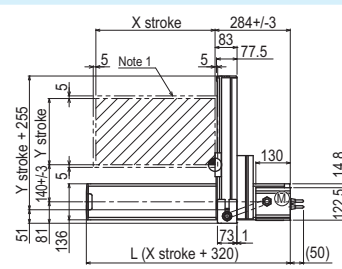


Detail of section A

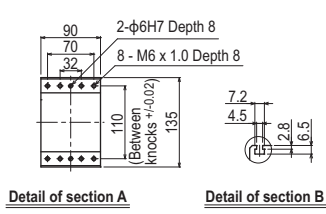
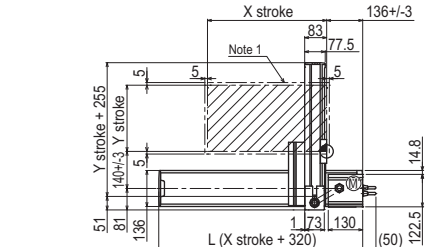
Detail of section B

Detail of section C

Use M6 x 1.0 hex socket head bolt with length head bolt with length (under head) of 20mm or more.



SXYx 2 axes **A4**



Detail of section A

Detail of section B

Detail of section C

Use M6 x 1.0 hex socket head bolt with length head bolt with length (under head) of 20mm or more.

