

NXY-W

6 axes / ZFH

- Arm type
- Cable carrier
- Double Y axes specifications
- Z-axis: clamped table / moving base type (200W)

Ordering method

NXY - C - WA1 **ZFH** **RCX240** **R** **BB**

Model	Cable	Combination	X-axis stroke	Y-axis stroke	ZR-axis	Z-axis stroke	Cable length	Controller ^{Note 2}	Usable for CE	Regenerative unit	Option I/O ^{Note 3}	Network option	Battery
			25 to 175cm	15 to 65cm ^{Note 1}		15 to 35cm	3L: 3.5m (Standard) 5L: 5m 10L: 10m		No entry: Standard E: CE marking	R: RGU-2	N, P: Standard I/O 16/8 N1, P1: 40/24 N2, P2: 64/40 N3, P3: 88/56 N4, P4: 112/72	No entry: None CC: CC-Link DN: DeviceNet PB: Profibus EN: Ethernet YC, YC-Link ^{Note 4}	BB: 4 pcs

Note 1. When either one or both of Y-axis or Z-axis stroke is different, it will be an order-made.
 Note 2. If you enter "RCX240", 2 units will be shipped automatically.
 Reference of special order: 2 sets of RCX222+SR1-X.
 Note 3. N to N4 if NPN was selected, or P to P4 if PNP was selected for the I/O board.
 Note 4. Available only for the master.

Specification

	X-axis	Y-axis ^{Note 1}	Z-axis
Axis construction ^{Note 2}	N15D	F14	F10-BK equivalent guide-reinforced model
AC servo motor output (W)	400	100	200
Repeatability ^{Note 3} (mm)	+/-0.01	+/-0.01	+/-0.01
Drive system	Ball screw (Class C7) $\phi 15$	Ball screw (Class C7) $\phi 15$	Ball screw (Class C7) $\phi 15$
Ball screw lead (Deceleration ratio) (mm)	20	20	10
Maximum speed (mm/sec)	1200	1200	600
Moving range (mm)	250 to 1750	150 to 650	150 to 350
Robot cable length (m)	Standard: 3.5 Option: 5, 10		

Note 1. The same two Y axes are installed and they have same specifications. If axes of individually different stroke are desired, it will be an order-made. In that case, consult YAMAHA.
 Note 2. Use caution that the flame machining (installation holes, tap holes) differs from single-axis robots.
 Note 3. Positioning repeatability in one direction.

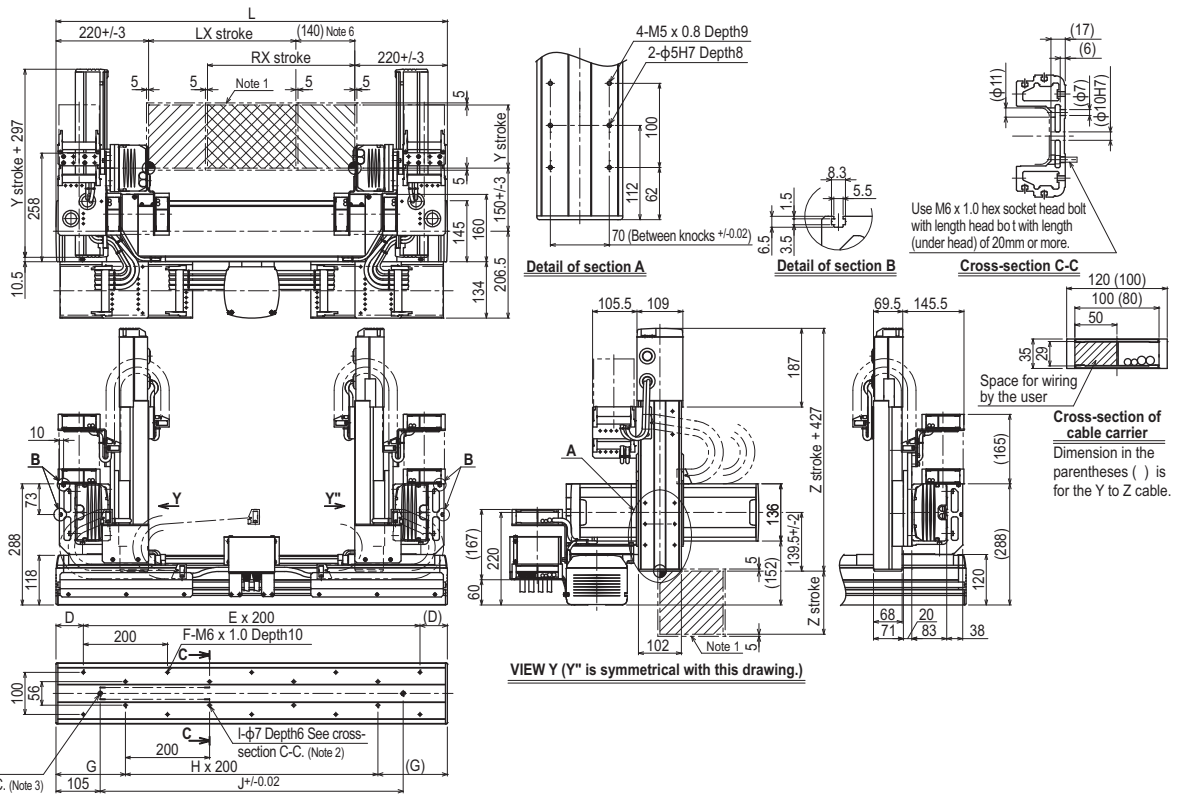
Maximum payload (kg)

Y stroke (mm)	Z stroke (mm)		
	150	250	350
150	13	13	12
250	12	11	10
350	10	9	8
450	8	7	6
550	5	4	3
650	3	2	1

Controller

Controller	Operation method
RCX240-R	Programming / I/O point trace / Remote command / Operation using RS-232C communication

NXY-W 6 axes / ZFH WA1



X stroke	250	350	450	550	650	750	850	950	1050	1150	1250	1350	1450	1550	1650	1750
L	830	930	1030	1130	1230	1330	1430	1530	1630	1730	1830	1930	2030	2130	2230	2330
D	15	65	15	65	15	65	15	65	15	65	15	65	15	65	15	65
E	4	4	5	5	6	6	7	7	8	8	9	9	10	10	11	11
F	10	10	12	12	14	14	16	16	18	18	20	20	22	22	24	24
G	115	165	115	165	115	165	115	165	115	165	115	165	115	165	115	165
H	3	3	4	4	5	5	6	6	7	7	8	8	9	9	10	10
I	8	8	10	10	12	12	14	14	16	16	18	18	20	20	22	22
J	620	720	820	920	1020	1120	1220	1320	1420	1520	1620	1720	1820	1920	2020	2120
Y stroke	150	250	350	450	550	650										
Z stroke	150	250	350													

Note 1. The moving range when returning to origin and the stop position when stopping by the mechanical stopper.
 Note 2. When using $\phi 7$ holes for installation, you must not use a washer, spring washer, etc. in the main unit.
 Note 3. When using a $\phi 10H7$ hole, make sure that the pin does not go into deeper than as shown in the drawing.
 Note 4. Use M4 tap of the box next to X axis for the user grounding terminal.
 Note 5. The M4 taps at both ends of the cable carriage can be used for fixing cables.
 Note 6. Minimum dimension between LX and RX sliders.