

APPLICATION
TRANSEURO
FLIP-X
PHASER
XY-X
YK-XG
YP-X
CLEAN
CONTROLLER INFORMATION
Arm type
Gantry type
Moving arm
Pole type
XZ type

PXYx 2 axes

● Arm type ● Cable carrier



Ordering method

PXYx - C					RCX222				
Model	Cable	Combination	X-axis stroke	Y-axis stroke	Cable length	Controller	Usable for CE	Input/Output selection 1	Input/Output selection 2
A1			15 to 65cm	5 to 30cm	3L: 3.5m (Standard) 5L: 5m 10L: 10m	RCX222 DRCX0505	No entry: Standard E: CE marking	N: NPN ^{Note 1} P: PNP CC: CC-Link DN: DeviceNet PB: Profibus EN: Ethernet ^{Note 1} YC: YC-Link ^{Note 1 & 2}	No entry: None N1: OP.DIO24/16 (NPN) ^{Note 1} P1: OP.DIO24/17 (PNP) EN: Ethernet ^{Note 1 Note 3}

Note 1. NPN and Ethernet cannot be selected if using CE marking.
Note 2. Available only for the master.
Note 3. Only when CC or DN or PB was selected for I/O select 1 above. EN can be selected in I/O select 2.

Specification

	X-axis	Y-axis
Axis construction ^{Note 1}	—	T4H
AC servo motor output (W)	60	30
Repeatability ^{Note 2} (mm)	+/-0.02	+/-0.02
Drive system	Ball screw (Class C10)	Ball screw (Class C10)
Ball screw lead (Deceleration ratio) (mm)	12	12
Maximum speed ^{Note 3} (mm/sec)	720	720
Moving range (mm)	150 to 650	50 to 300
Robot cable length (m)	Standard: 3.5 Option: 5,10	

Note 1. Use caution that the flame machining (installation holes, tap holes) differs from single-axis robots.
Note 2. Positioning repeatability in one direction.
Note 3. When the X-axis stroke is longer than 650mm, resonance of the ball screw may occur depending on the operation conditions (critical speed). In this case, reduce the speed setting on the program by referring to the maximum speeds shown in the table below.

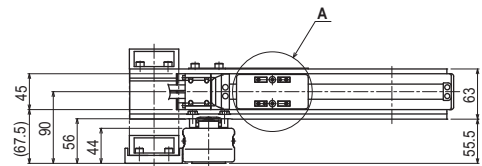
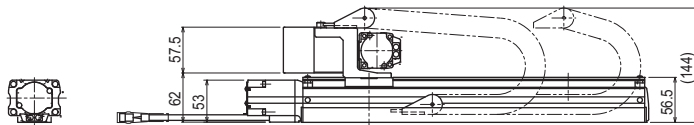
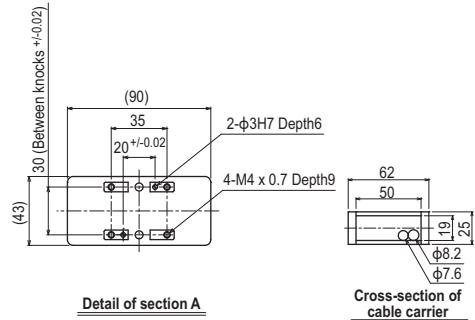
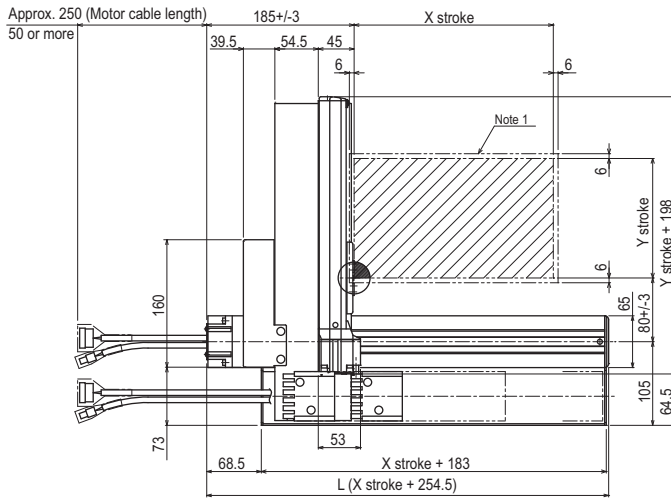
Maximum payload (kg)

Y stroke (mm)	XY 2 axes
50	4.5
100	4.5
150	3.5
200	2.5
250	2
300	1.5

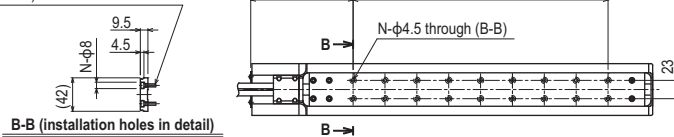
Controller

Controller	Operation method
RCX222	Programming / I/O point trace / Remote command / Operation using RS-232C communication
DRCX0505	

PXYx 2 axes A1



Use M4 x 0.7 hex socket head bolt with length head bolt with length (under head) of 15mm or more.



X stroke	150	250	350	450	550	650
L	404.5	504.5	604.5	704.5	804.5	904.5
M	5	8	10	13	15	18
N	12	18	22	28	32	38
Y stroke	50	100	150	200	250	300
Maximum speed for each stroke (mm/sec) ^{Note 2}	X-axis		720		600	
Speed setting			—		83%	

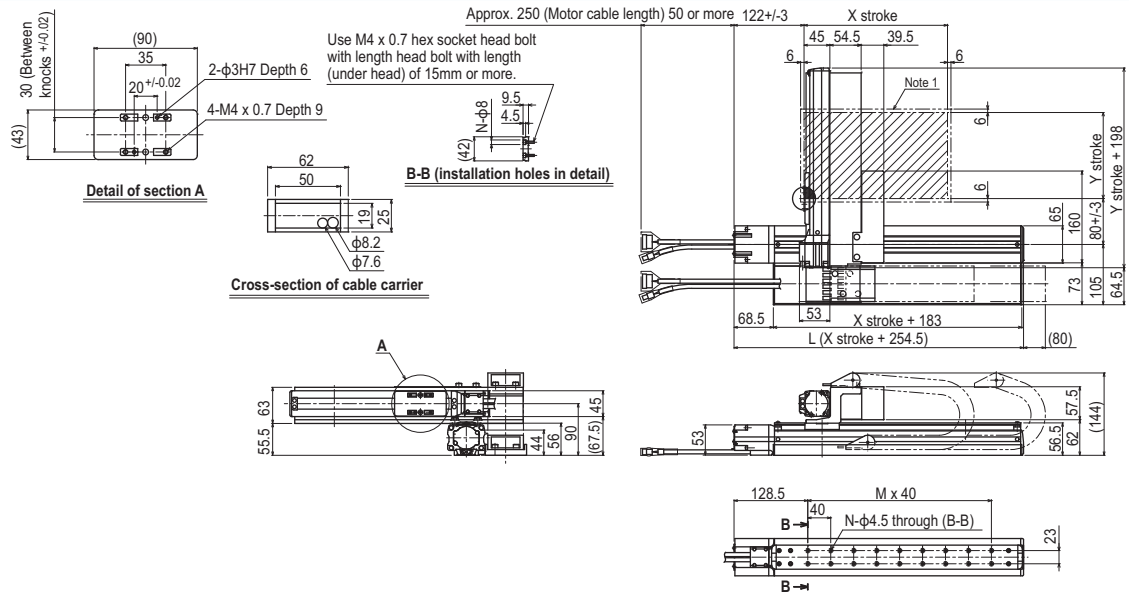
Note 1. The moving range when returning to origin and the stop position when stopping by the mechanical stopper.

Note 2. When the X-axis stroke is longer than 650mm, resonance of the ball screw may occur depending on the operation conditions (critical speed). In this case, reduce the speed setting on the program by referring to the maximum speeds shown in the table at the left.

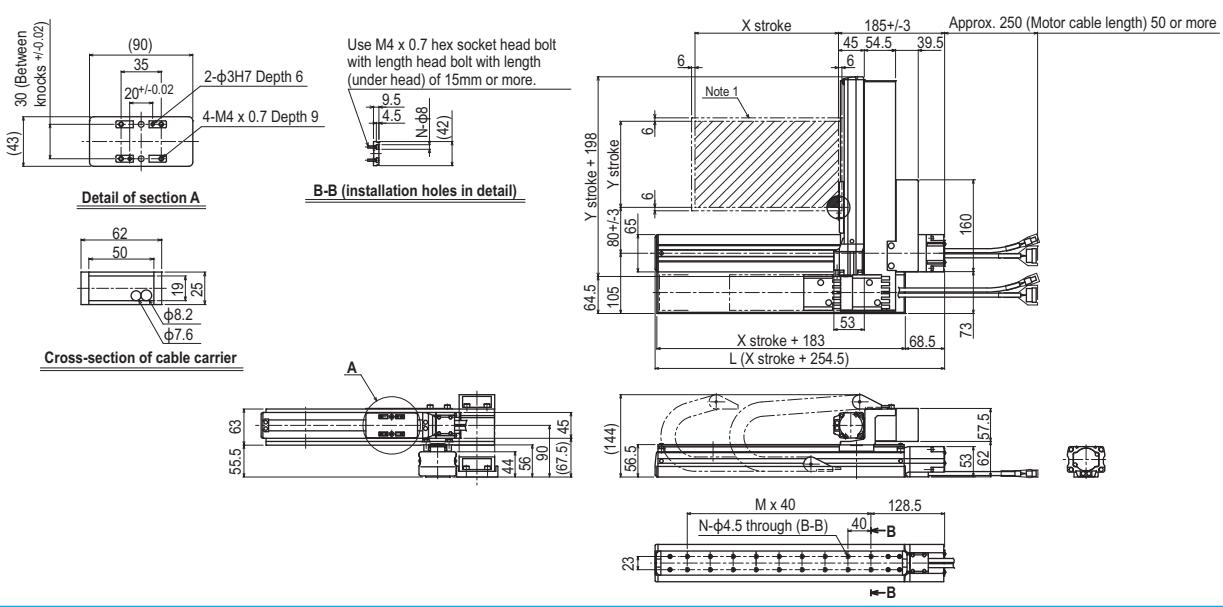
150

Controller
RCX222 ▶ 395 DRCX ▶ 387

PXYx 2 axes **A2**



PXYx 2 axes **A3**



PXYx 2 axes **A4**

