

APPLICATION  
TRANSMISSION  
FLIP-X  
PHASER  
XY-X  
YK-XG  
YP-X  
CLEAN  
CONTROLLER INFORMATION  
Arm type  
Gantry type  
Moving arm  
Pole type  
XZ type

# SXYBx

**3 axes / ZFH**

- Arm type
- Cable carrier
- Z-axis: clamped table / moving base type (200W)

## Ordering method

<b>SXYBx - C</b>			<b>ZFH</b>			<b>RCX240</b>		<b>R</b>			<b>BB</b>		
Model	Cable	Combination	X-axis stroke 15 to 305mm	Y-axis stroke 15 to 45cm	ZR-axis	Z-axis stroke 15 to 35cm	Cable length 3L: 3.5m (Standard) 5L: 5m 10L: 10m	Controller	Usable for CE No entry: Standard E: CE marking	Regenerative unit R: RGU-2	Option I/O Note 1 N: P: Standard I/O 16/8 N1, P1: 40/24 N2, P2: 64/40 N3, P3: 88/56 N4, P4: 112/72	Network option No entry: None CC: CC-Link DN: DeviceNet PB: Profibus EN: Ethernet YC: YC-Link Note 2	Battery BB: 4 pcs

Note 1. N to N4 if NPN was selected, or P to P4 if PNP was selected for the I/O board.  
Note 2. Available only for the master.

## Specification

	X-axis	Y-axis	Z-axis
Axis construction Note 1	B14H	B14	F10 equivalent guide-reinforced model
AC servo motor output (W)	200	100	200
Repeatability Note 2 (mm)	+/-0.04	+/-0.04	+/-0.01
Drive system	Timing belt	Timing belt	Ball screw (Class C7)
Ball screw lead (Deceleration ratio) (mm)	Equivalent to lead 25	Equivalent to lead 25	10
Maximum speed (mm/sec)	1875	1875	600
Moving range (mm)	150 to 3050	150 to 450	150 to 350
Robot cable length (m)	Standard: 3.5 Option: 5,10		

Note 1. Use caution that the flame machining (installation holes, tap holes) differs from single-axis robots.  
Note 2. Positioning repeatability in one direction.

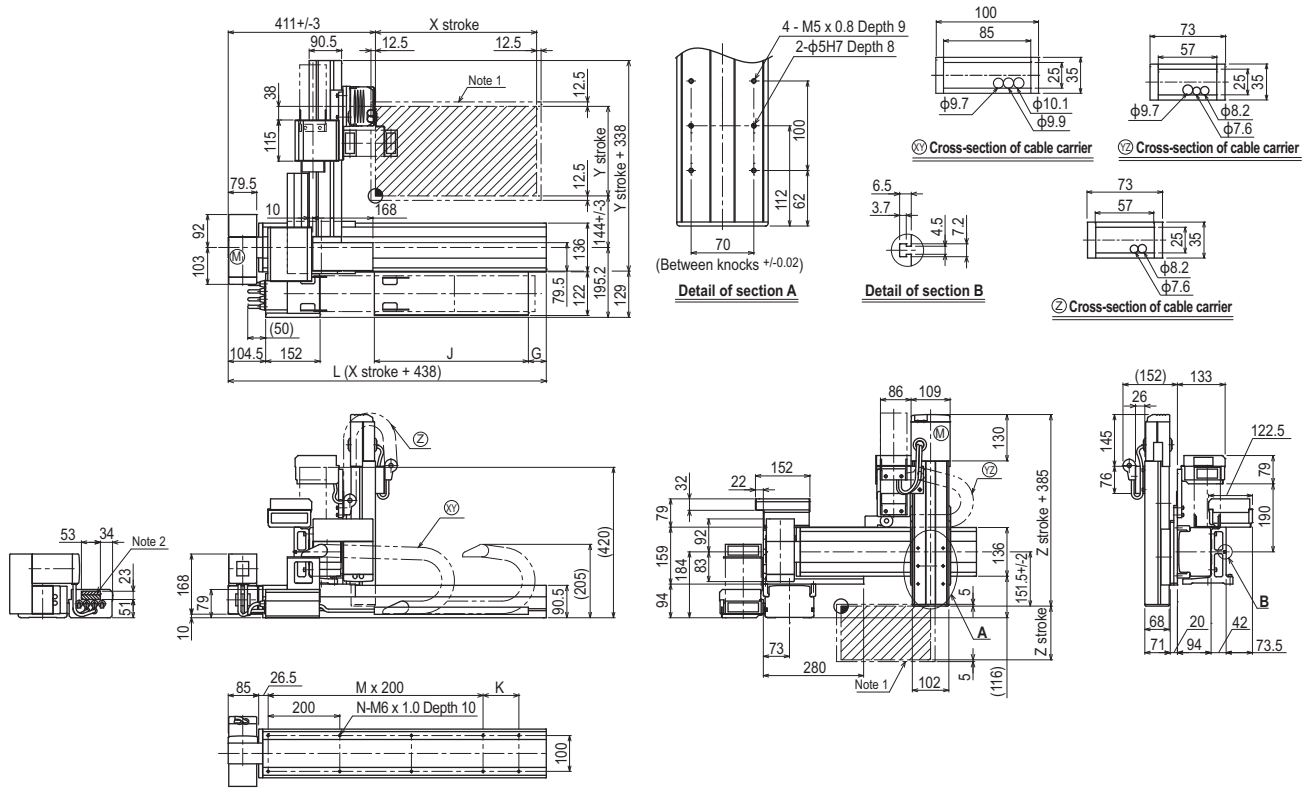
## Maximum payload (kg)

Y stroke (mm)	Z stroke (mm)		
	150	250	350
150	7	6	5
250	5	4	3
350	3	2	1
450	1	-	-

## Controller

Controller	Operation method
RCX240-R	Programming / I/O point trace / Remote command / Operation using RS-232C communication

## SXYBx 3 axes / ZFH (A1)



Note 1. The moving range when returning to origin and the stop position when stopping by the mechanical stopper.  
Note 2. The shaded position indicates a user cable extraction port.

X stroke	150	250	350	450	550	650	750	850	950	1050	1150	1250	1350	1450	1550	1650	1750	1850	1950	2050	2150	2250	2350	2450	2550	2650	2750	2850	2950	3050
L	588	688	788	888	988	1088	1188	1288	1388	1488	1588	1688	1788	1888	1988	2088	2188	2288	2388	2488	2588	2688	2788	2888	2988	3088	3188	3288	3388	3488
K	200	100	200	100	200	100	200	100	200	100	200	100	200	100	200	100	200	100	200	100	200	100	200	100	200	100	200	100	200	100
M	1	2	2	3	3	4	4	5	5	6	6	7	7	8	8	9	9	10	10	11	11	12	12	13	13	14	14	15	15	16
N	6	8	8	10	10	12	12	14	14	16	16	18	18	20	20	22	22	24	24	26	26	28	28	30	30	32	32	34	34	
G	0	50	0	50	0	50	0	50	0	50	0	50	0	50	0	50	0	50	0	50	0	50	0	50	0	50	0	50	0	
J	330	330	430	430	530	530	630	630	730	730	830	830	930	930	1030	1030	1130	1130	1230	1230	1330	1330	1430	1430	1530	1530	1630	1630	1730	1730
Y stroke	150	250	350	450																										
Z stroke	150	250	350																											