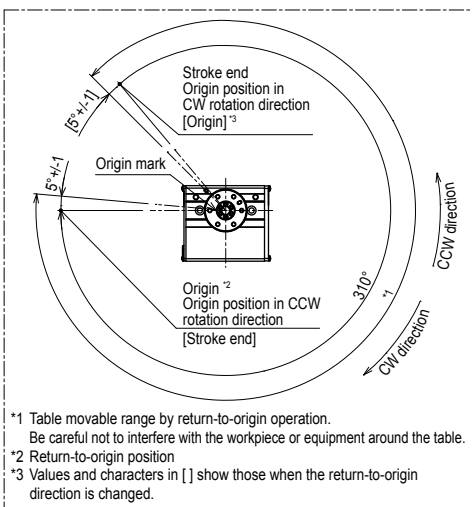
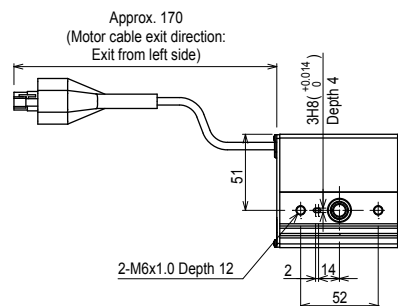
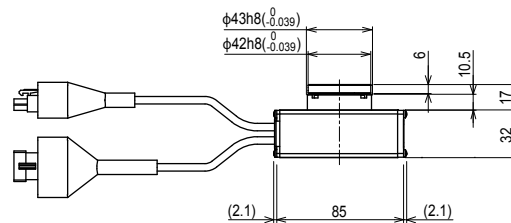
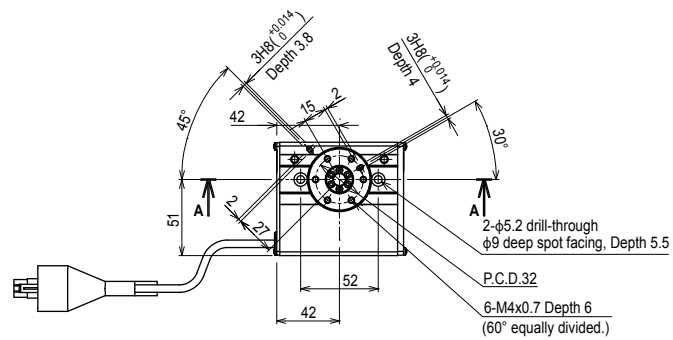


RF02-NH Limit rotation specification – High rigidity model



- *1 Table movable range by return-to-origin operation.
Be careful not to interfere with the workpiece or equipment around the table.
- *2 Return-to-origin position
- *3 Values and characters in [] show those when the return-to-origin direction is changed.



Weight (kg)	0.52
--------------------	------

- Note 1. This drawing is output under the conditions below.
Bearing High rigidity
Torque Standard/High torque
- Note 2. The minimum bending radius of the motor cable is R30.
- Note 3. The motor cable exit direction is only the left side.

