



Codian

Product catalog

Open robot mechanics | V1



- Industrial pick & place robot mechanics
- Open for any control platform
- Low total cost of ownership
- Always the best solution

Index

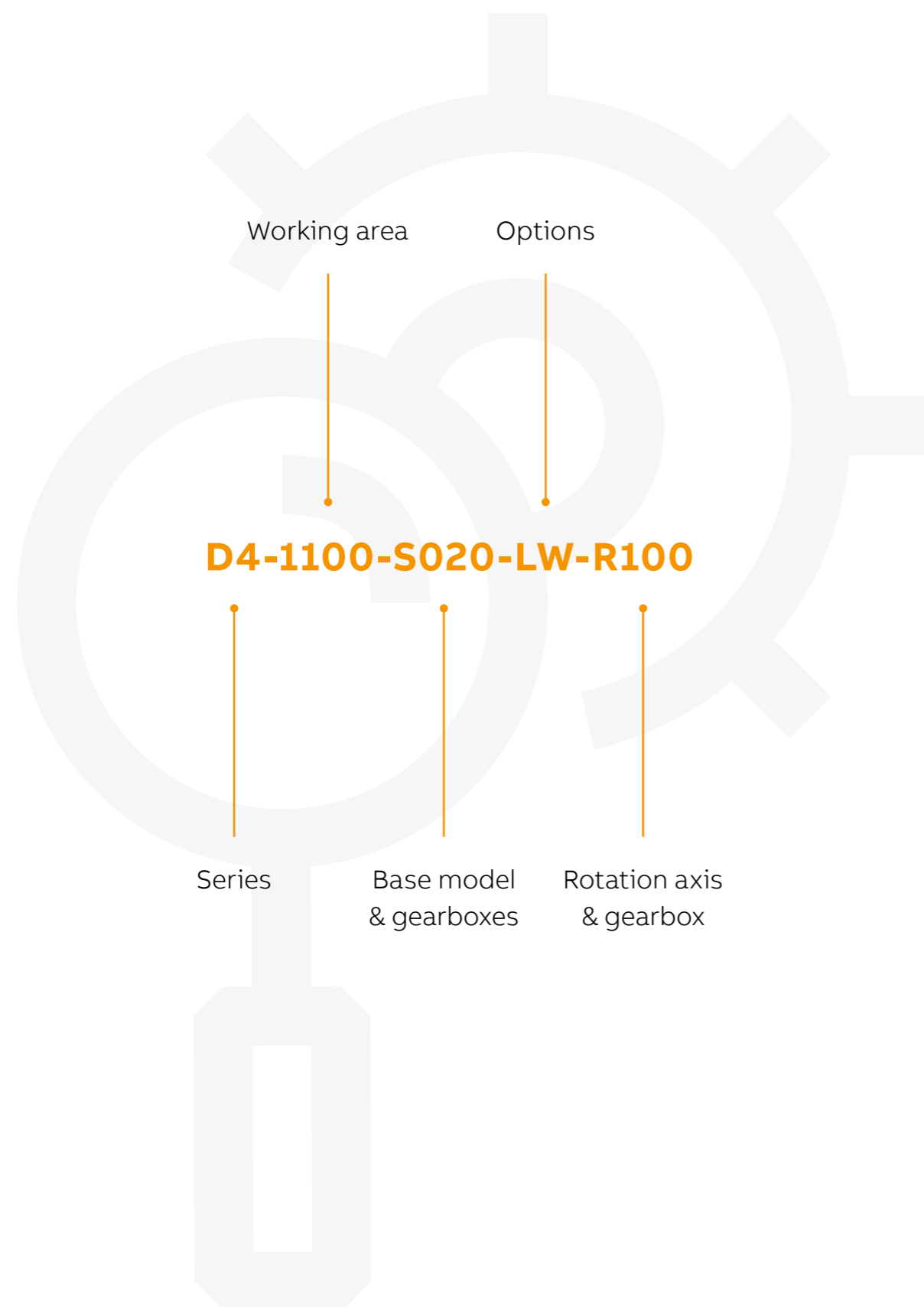
8	Naming structure
9	Introduction
10–19	D2 Series
12	D2-500-S020 & D2-800-S020
13	D2-500-S020-R100 & D2-800-S020-R100
14	D2-800-S040
15	D2-1000-S030
16	D2-1500-S030
17	D2-1000-S060 & D2-1500-S060
18	D2-1000-TW030 & D2-1500-TW030
19	D2-1000-TW061W & D2-1500-TW061W
20–37	D4 Series
22	D4-500-S010
23	D4-500-S010-R109
24	D4-650-S020 & D4-800-S020
25	D4-650-S020-R100 & D4-800-S020-R100
26	D4-1100-S020 & D4-1300-S020
27	D4-1100-S020-R100 & D4-1300-S020-R100
28	D4-1600-S020

29	D4-1600-S020-R100
30	D4-1100-S040
31	D4-1100-S040-R200
32	D4-1300-S040 & D4-1600-S040
33	D4-1300-S040-R200 & D4-1600-S040-R200
34	D4-1300-S050 & D4-1600-S050
35	D4-1300-S050-R750 & D4-1600-S050-R750
36	D4-2100-S050
37	D4-2100-S050-R750
38–45	D5 Series
40	D5-650-S020-R100 & D5-800-S020-R100
41	D5-1100-S020-R100 & D5-1300-S020-R100
42	D5-1300-S050-R750 & D5-1600-S050-R750
43	D5-1300-S040G-R300 & D5-1600-S040G-R300
44	D5-1300-S050G-R750 & D5-1600-S050G-R750
45	D5-2100-S050G-R750
46–65	TD4 & TD5 Series
48	TD4 Series
48	TD4-500-S010

49	TD4-500-S010-R109
50	TD4-650-S020
51	TD4-650-S020-R100
52	TD4-800-S020
53	TD4-800-S020-R100
54	TD4-1100-S020
55	TD4-1100-S020-R100
56	TD4-1300-S020
57	TD4-1300-S020-R100
58	TD4-1300-S040
59	TD4-1300-S040-R200
60	TD4-1600-S040
61	TD4-1600-S040-R200
62	TD5 Series
62	TD5-650-S020-R100
63	TD5-800-S020-R100
64	TD5-1100-S020-R100
65	TD5-1300-S020-R100
66–83	HD Series

68	D2-500-DUO021	87	R30
69	D4-650-HD021 & D4-800-HD021	87	R75
70	D4-650-HD021-RH090 & D4-800-HD021-RH090	88	Rotation axes Hygienic Design
71	D4-1100-HD021 & D4-1300-HD021	88	RH10
72	D4-1100-HD021-RH090 & D4-1300-HD021-RH090	88	RH21
73	D4-1600-HD021	89	Disclaimer
74	D4-1100-HD041 & D4-1300-HD041		
75	D4-1100-HD041-RH200 & D4-1300-HD041-RH200		
76	D4-1600-HD041		
77	D4-1600-HD041-RH200		
78	D2-500-OS070 & D2-800-OS070		
79	D2-500-OS070-RH095 & D2-800-OS070-RH095		
80	D4-650-OS070 & D4-800-OS070		
81	D4-650-OS070-RH095 & D4-800-OS070-RH095		
82	D4-1100-OS070 & D4-1300-OS070		
83	D4-1100-OS070-RH095 & D4-1300-OS070-RH095		
84–88	Rotation axes		
86	R11		
86	R20		

Naming structure



Introduction

Codian pick & place solutions are available as open mechanics for use with any machine control platform in a Machine-Centric Robotics solution. The right combination of design freedom and synchronized performance allows the best possible solution for any application.

Codian offers the world's broadest selection of open delta robot mechanics, made from high-quality materials. Commitment to continuous innovation means customers benefit from the latest in cutting-edge robotics and industrial automation.

Codian robot mechanics are world renowned for their high performance, class-leading IP69K hygienic design options and high payload capabilities. They are available without motors or controls for integration into any machine using any control platform. With an array of standardized customization options, they can be tailored to any application. Choose the exact combination of robot series, working area, model, gearboxes and rotation axis to create the best solution for your application.

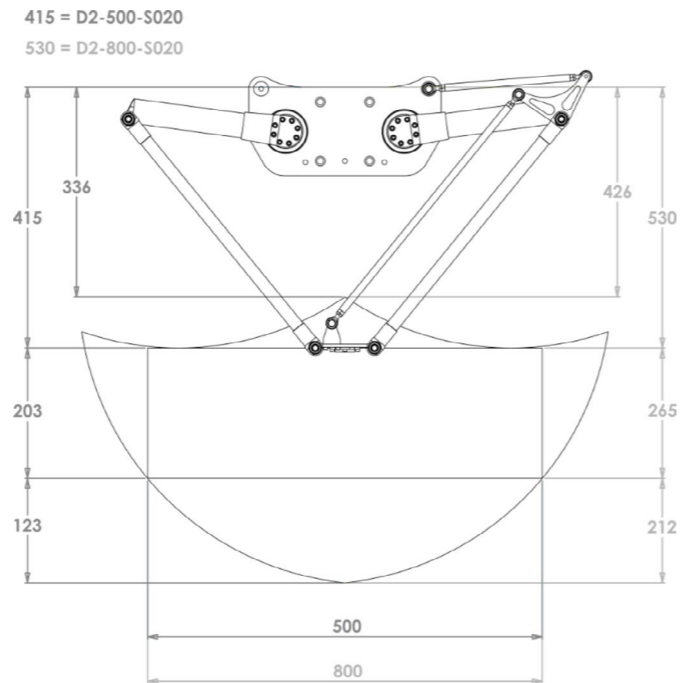
Codian engineers are at your service to assist with component selection and pick rate calculation.

D2 Series



D2-500-S020 & D2-800-S020

D2 Robot Mechanics



Performance

Working range: 500 x 326 mm, 800 x 477 mm
Noise level: <68 dB (A)
Payload: 5 kg
Pick & place actions: up to 210 p/min
Position repeatability: +/- 0.1 mm

Options

W: Washdown IP65 (Stainless steel)
OS: Open structure Hygienic Design IP69X
LW: Lower washdown IP65

Rotation

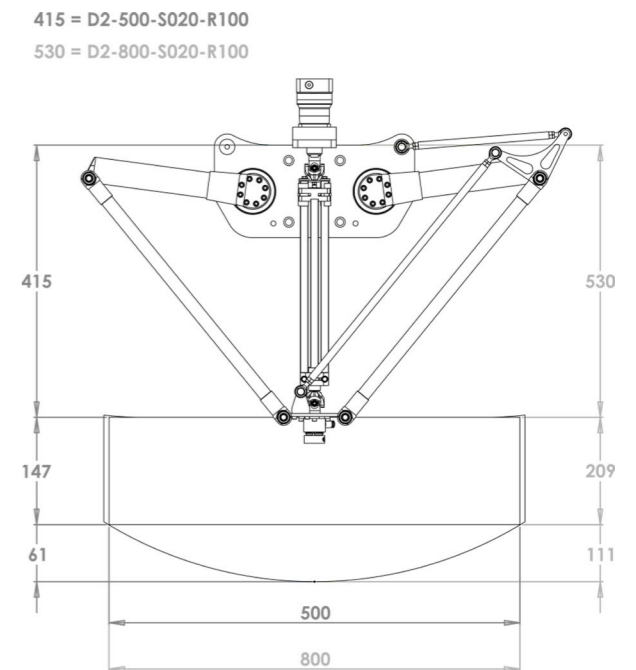
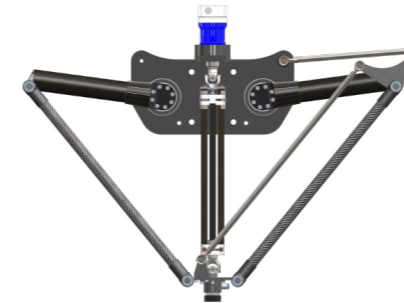
No rotation

Accessory

Calibration tool

D2-500-S020-R100 & D2-800-S020-R100

D2 Robot Mechanics



Performance

Working range: 500 x 208 mm, 800 x 320 mm
Noise level: <68 dB (A)
Payload: 5 kg
Pick & place actions: up to 210 p/min
Position repeatability: +/- 0.1 mm

Options

W: Washdown IP65 (Stainless steel)
LW: Lower washdown IP65

Rotation

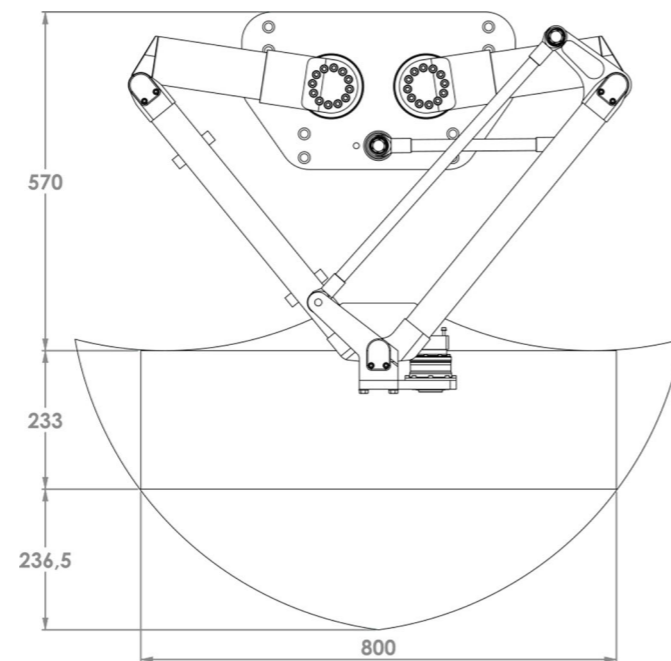
R11 (standard): 7 Nm
RH10: 7 Nm IP69K
T11: Tilt axis

Accessory

Calibration tool

D2-800-S040

D2 Robot Mechanics



Performance

Working range: 800 x 233 mm
Noise level: <68 dB (A)
Payload: 20 kg
Pick & place actions: up to 90 p/min
Position repeatability: +/- 0.1 mm

Options

LW: Lower washdown IP65

Rotation

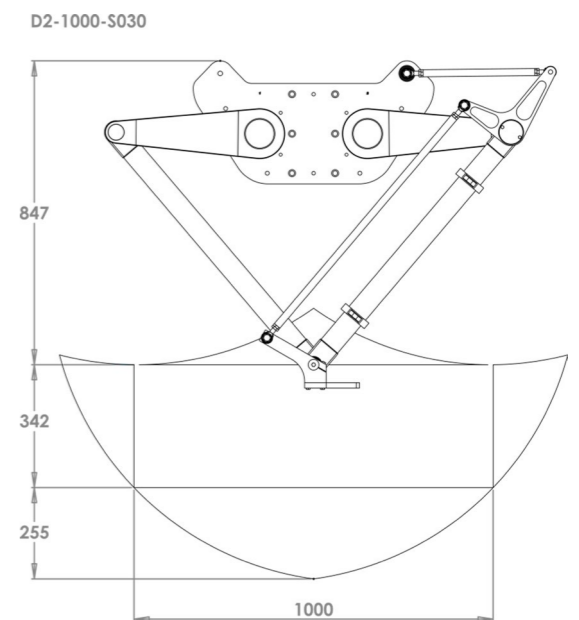
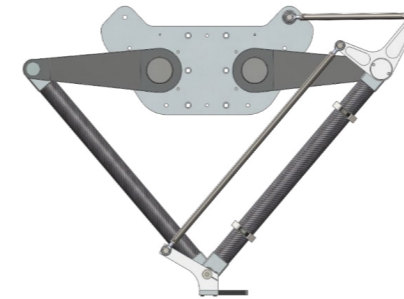
DR80 (standard): 40 Nm
DR81 (washdown): 40 Nm

Accessory

Calibration tool

D2-1000-S030

D2 Robot Mechanics



Performance

Working range: 1000 x 597 mm
Noise level: <68 dB (A)
Payload: 35 kg
Pick & place actions: up to 50 p/min
Position repeatability: +/- 0.1 mm

Options

W: Washdown IP65 (stainless steel)
LW: Lower washdown IP65

Rotation

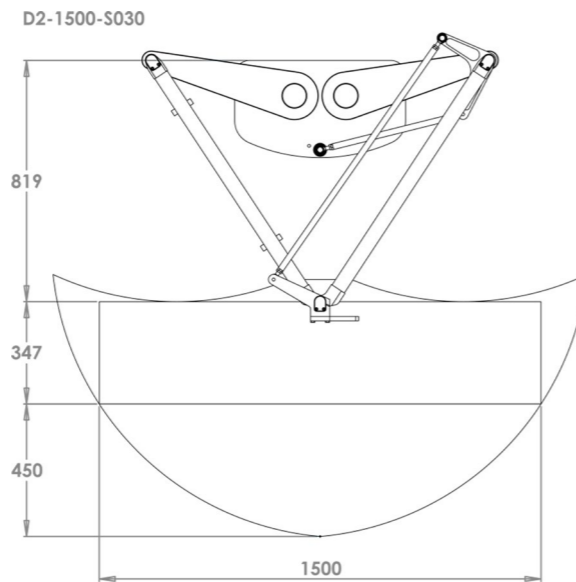
DR80 (standard): 40 Nm
DR81 (washdown): 40 Nm

Accessory

Calibration tool

D2-1500-S030

D2 Robot Mechanics



Performance

Working range: 1500 x 797 mm
Noise level: <68 dB (A)
Payload: 35 kg
Pick & place actions: up to 45 p/min
Position repeatability: +/- 0.1 mm

Options

No options

Rotation

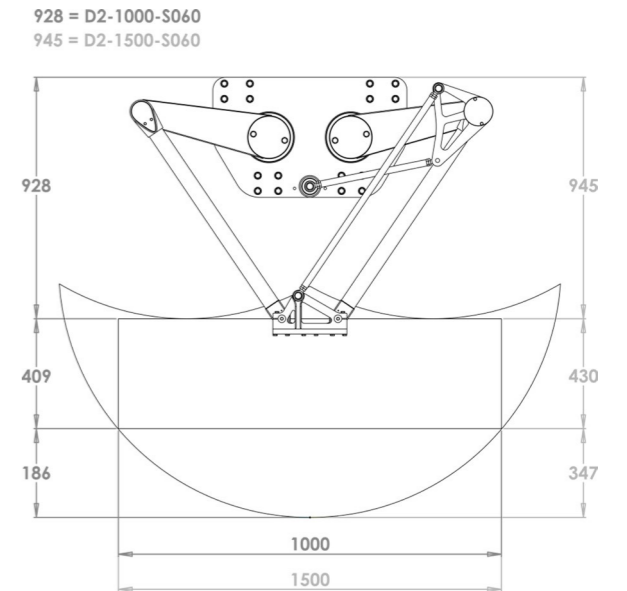
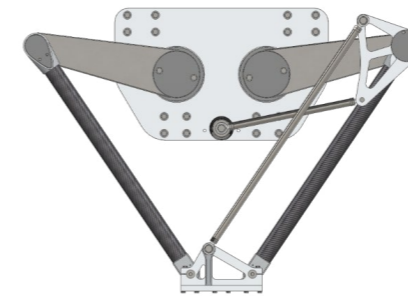
DR80 (standard): 40 Nm

Accessory

Calibration tool

D2-1000-S060 & D2-1500-S060

D2 Robot Mechanics



Performance

Working range: 1000 x 595 mm, 1500 x 777 mm
Noise level: <68 dB (A)
Payload: 100 kg (D2-1500), 125 kg (D2-1000)
Pick & place actions: up to 45 p/min
Position repeatability: +/- 0.1 mm

Options

W: Washdown IP65
LW: Lower washdown IP65

Rotation

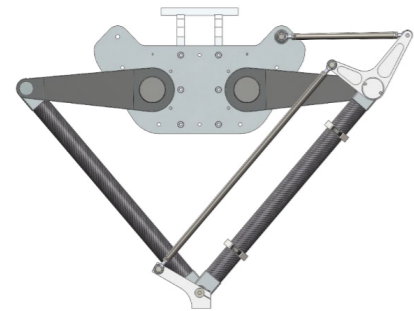
DR90 (standard): 375 Nm
DR91 (washdown): 375 Nm

Accessory

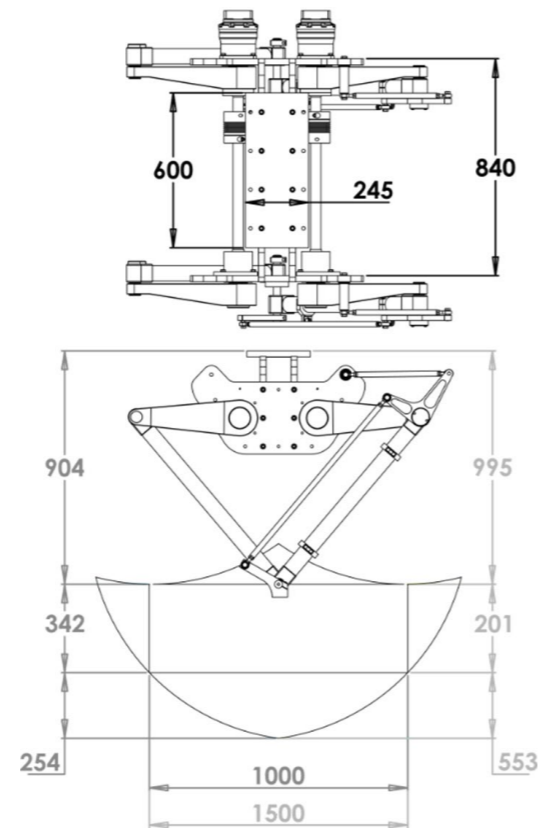
Calibration tool

D2-1000-TW030 & D2-1500-TW030

D2 Robot Mechanics



904 = D2-1000-TW030
995 = D2-1500-TW030



Performance

Working range: 1000 x 596 mm, 1500 x 754 mm
Noise level: <68 dB (A)
Payload: 40 kg
Pick & place actions: up to 40 p/min
Position repeatability: +/- 0.1 mm

Options

W: Washdown IP65
LW: Lower washdown IP65
SB: Small Base Plate

Rotation

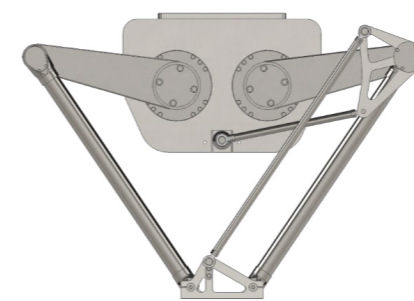
No rotation

Accessory

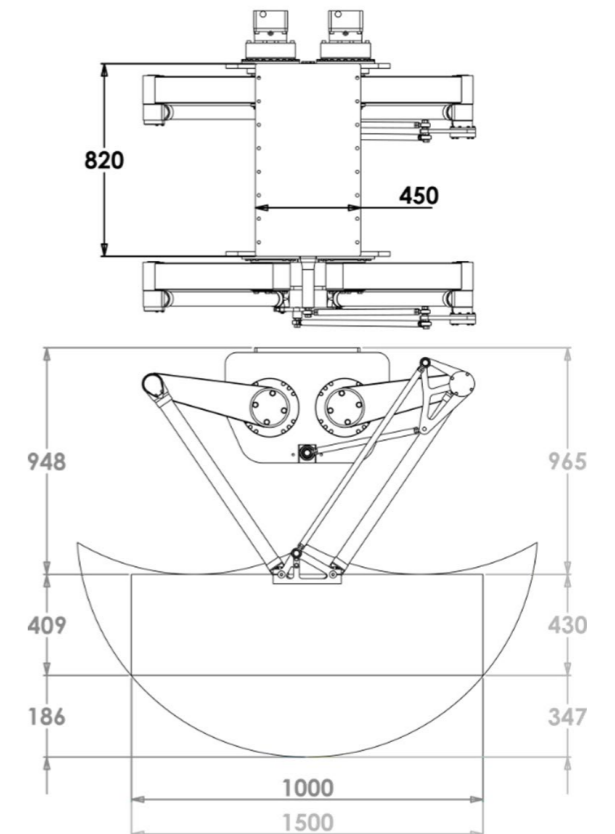
Calibration tool

D2-1000-TW061W & D2-1500-TW061W

D2 Robot Mechanics



948 = D2-1000-TW061W
965 = D2-1500-TW061W



Performance

Working range: 1000 x 595 mm, 1500 x 777 mm
IP65 Stainless steel: Washdown
Noise level: <68 dB (A)
Payload: 100 kg (D2-1500), 125 kg (D2-1000)
Pick & place actions: up to 45 p/min
Position repeatability: +/- 0.1 mm

Options

EB: Extended base plate
SB: Small base Plate

Rotation

No rotation

Accessory

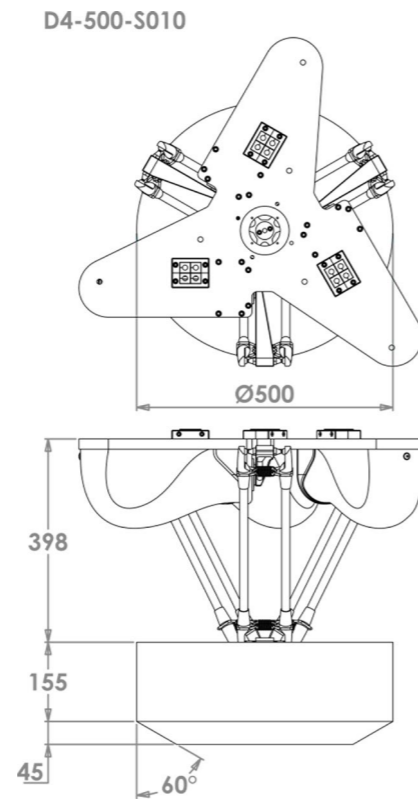
Calibration tool

D4 Series



D4-500-S010

D4 Robot Mechanics



Performance

Working range: Ø 500 x 200 mm
Noise level: <68 dB (A)
Payload: 2 kg
Pick & place actions: up to 200 p/min
Position repeatability: +/- 0.1 mm

Options

Flat TCP
Set table legs

Rotation axis

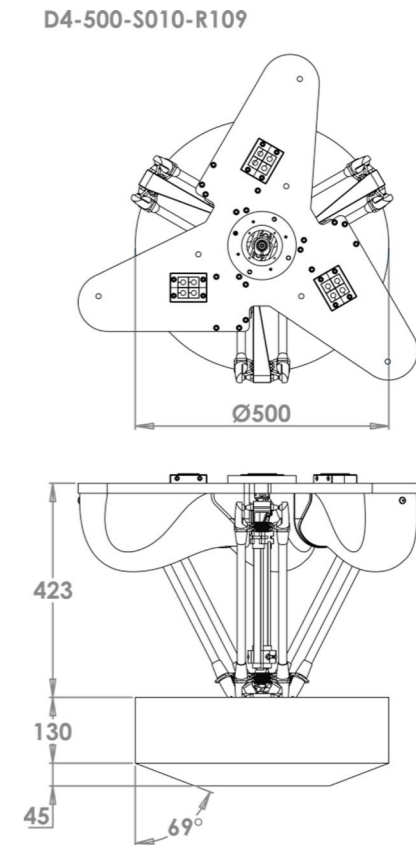
No rotation

Accessory

Calibration tool

D4-500-S010-R109

D4 Robot Mechanics



Performance

Working range: Ø 500 x 175 mm
Noise level: <68 dB (A)
Payload: 2 kg
Pick & place actions: up to 200 p/min
Position repeatability: +/- 0.1 mm

Options

Flat TCP
Set table legs

Rotation axis

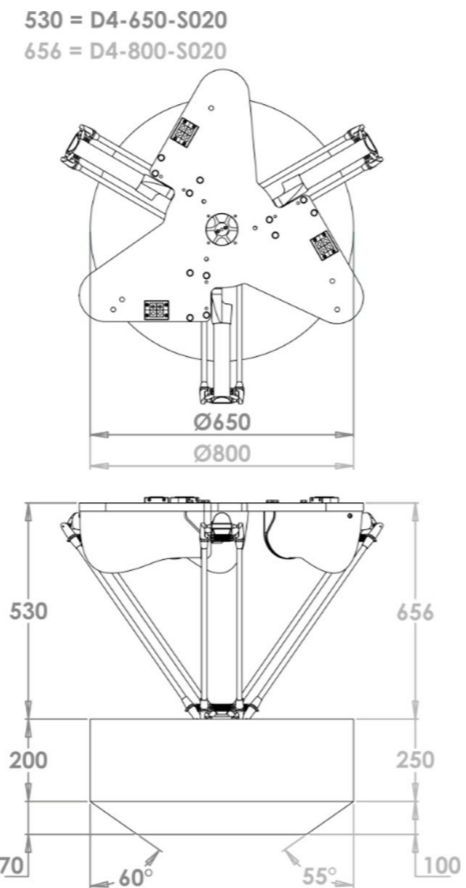
R119 (standard): 7 Nm no gear
R11: 7 Nm

Accessory

Calibration tool

D4-650-S020 & D4-800-S020

D4 Robot Mechanics



Performance

Working range: Ø 650 x 270 mm, Ø 800 x 350 mm

Noise level: <68 dB (A)

Payload: 3 kg

Pick & place actions: up to 200 p/min

Position repeatability: +/- 0.1 mm

Options

LW: Lower washdown IP65

Flat TCP

Rotation axis

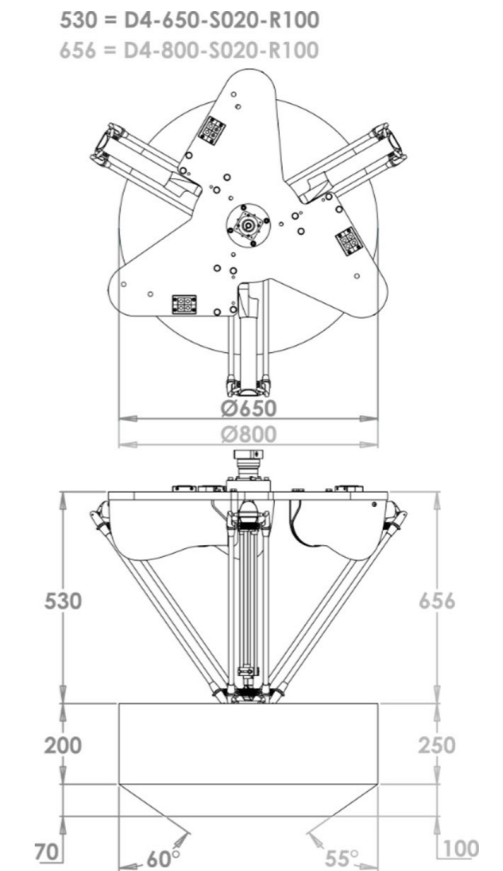
No rotation

Accessory

Calibration tool

D4-650-S020-R100 & D4-800-S020-R100

D4 Robot Mechanics



Performance

Working range: Ø 650 x 270 mm, Ø 800 x 350 mm

Noise level: <68 dB (A)

Payload: 3 kg

Pick & place actions: up to 200 p/min

Position repeatability: +/- 0.1 mm

Options

LW: Lower washdown IP65

Flat TCP

Rotation axis

R11 (standard): 7 Nm

R20: 19 Nm

RH10: 7 Nm washdown

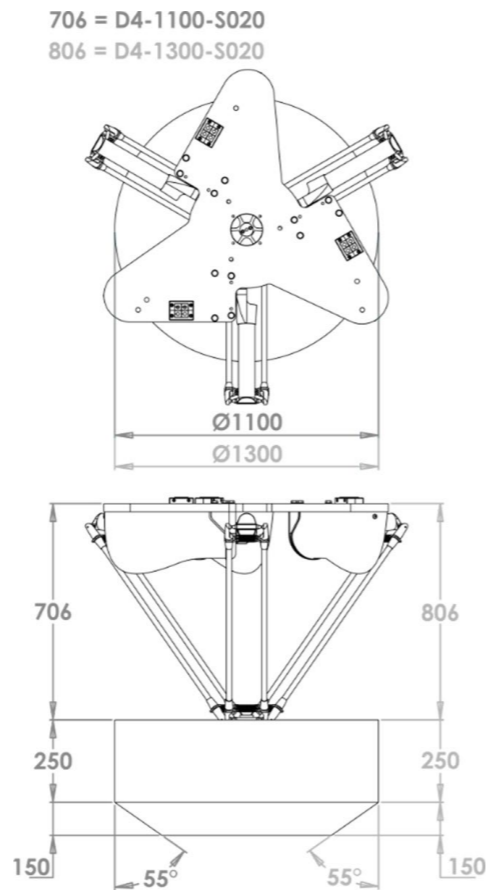
T11: Tilt axis

Accessory

Calibration tool

D4-1100-S020 & D4-1300-S020

D4 Robot Mechanics



Performance

Working range: Ø 1100 x 400 mm, Ø 1300 x 400 mm

Noise level: <68 dB (A)

Payload: 3 kg

Pick & place actions: up to 180 p/min

Position repeatability: +/- 0.1 mm

Options

LW: Lower washdown IP65

Flat TCP

Rotation axis

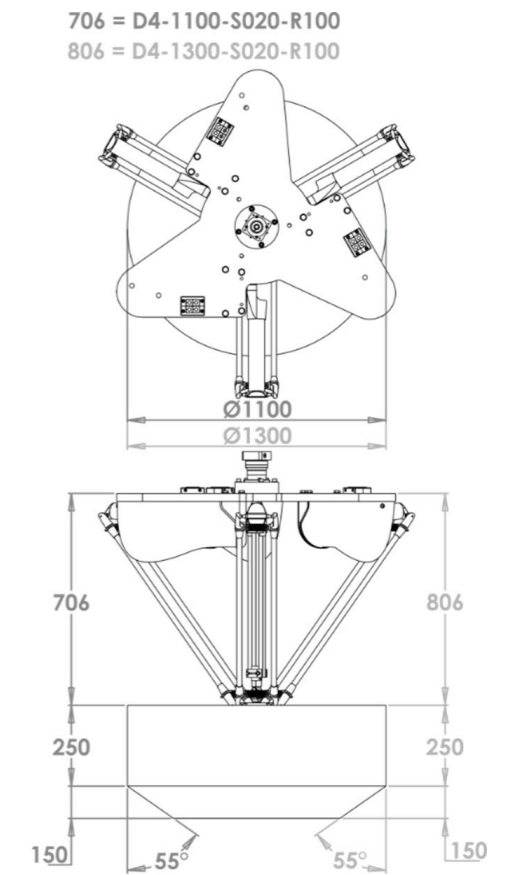
No rotation

Accessory

Calibration tool

D4-1100-S020-R100 & D4-1300-S020-R100

D4 Robot Mechanics



Performance

Working range: Ø 1100 x 400 mm, Ø 1300 x 400 mm

Noise level: <68 dB (A)

Payload: 3 kg

Pick & place actions: up to 180 p/min

Position repeatability: +/- 0.1 mm

Options

LW: Lower washdown IP65

Flat TCP

Rotation axis

R11 (standard): 7 Nm

RH10: 7 Nm washdown

R20: 19 Nm

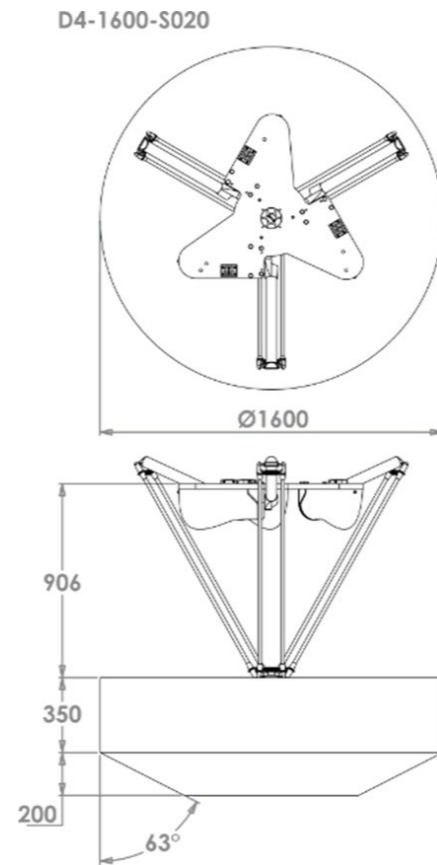
T11: Tilt axis

Accessory

Calibration tool

D4-1600-S020

D4 Robot Mechanics



Performance

Working range: Ø 1600 x 550 mm
Noise level: <68 dB (A)
Payload: 2.5 kg
Pick & place actions: up to 150 p/min
Position repeatability: +/- 0.1 mm

Options

LW: Lower washdown IP65
Flat TCP

Rotation axis

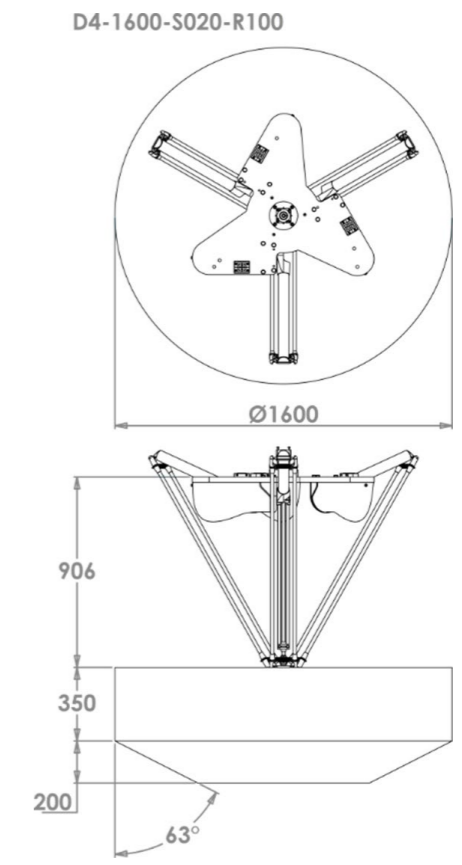
No rotation

Accessory

Calibration tool

D4-1600-S020-R100

D4 Robot Mechanics



Performance

Working range: Ø 1600 x 550 mm
Noise level: <68 dB (A)
Payload: 2.5 kg
Pick & place actions: up to 150 p/min
Position repeatability: +/- 0.1 mm

Options

LW: Lower washdown IP65
Flat TCP

Rotation axis

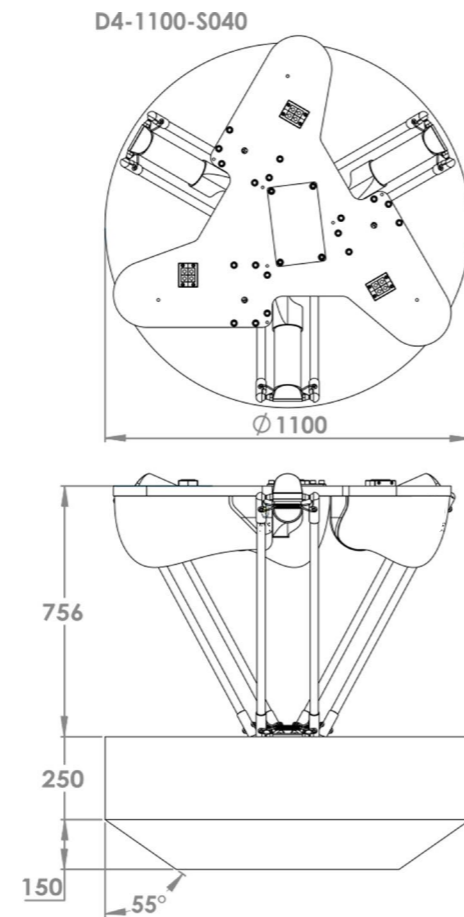
R11 (standard): 7 Nm
RH10: 7 Nm washdown
R20: 19 Nm
T10: Tilt axis

Accessory

Calibration tool

D4-1100-S040

D4 Robot Mechanics



Performance

Working range: \varnothing 1100 x 400 mm
Noise level: <68 dB (A)
Payload: 20 kg
Pick & place actions: up to 110 p/min
Position repeatability: +/- 0.1 mm

Options

LW: Lower washdown IP65
Flat TCP

Rotation axis

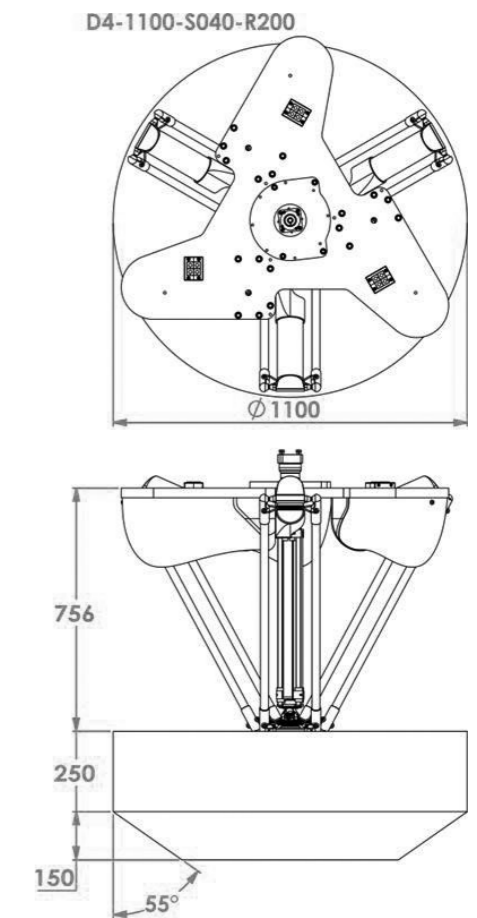
No rotation

Accessory

Calibration tool

D4-1100-S040-R200

D4 Robot Mechanics



Performance

Working range: \varnothing 1100 x 400 mm
Noise level: <68 dB (A)
Payload: 20 kg
Pick & place actions: up to 110 p/min
Position repeatability: +/- 0.1 mm

Options

LW: Lower washdown IP65
Flat TCP

Rotation axis

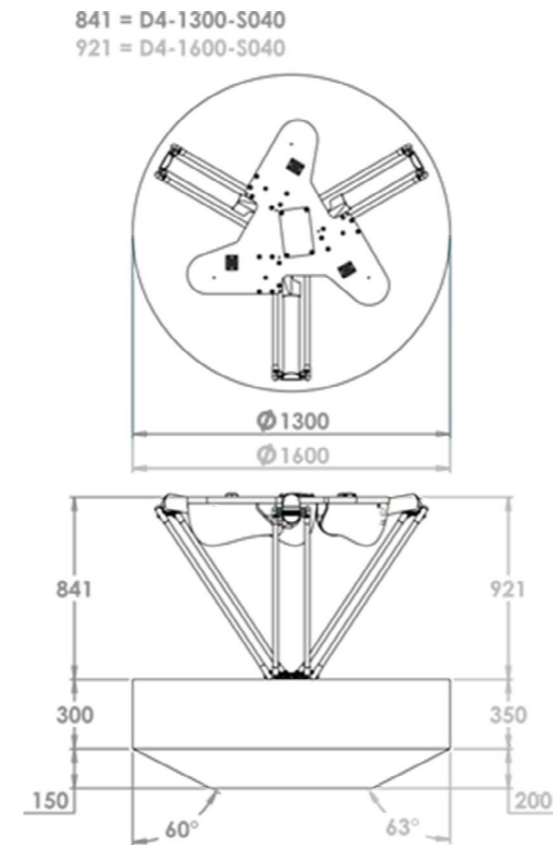
R20 (standard): 19 Nm
R30: 24 Nm
RH21: 19 Nm washdown

Accessory

Calibration tool

D4-1300-S040 & D4-1600-S040

D4 Robot Mechanics



Performance

Working range: \varnothing 1300 x 450 mm, \varnothing 1600 x 550 mm

Noise level: <68 dB (A)

Payload: 20 kg

Pick & place actions: up to 110 p/min

Position repeatability: +/- 0.1 mm

Options

LW: Lower washdown IP65

Flat TCP

Rotation axis

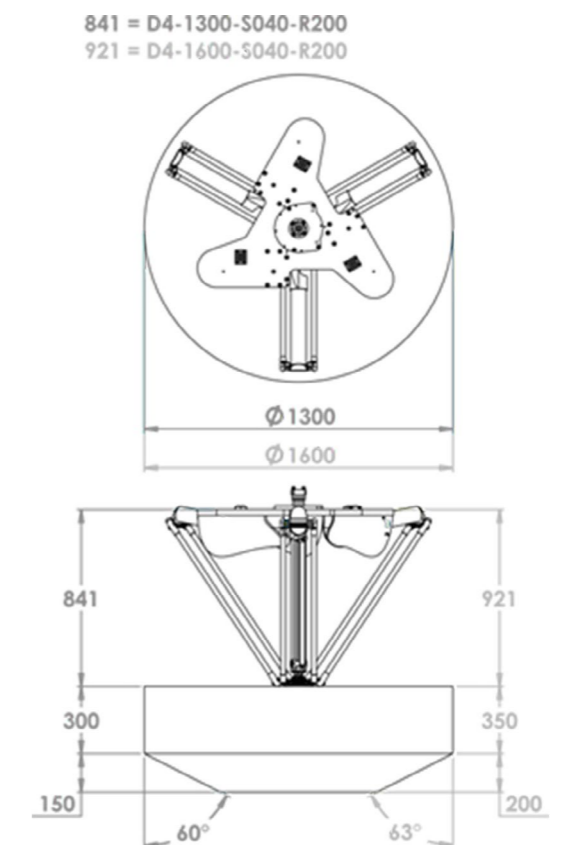
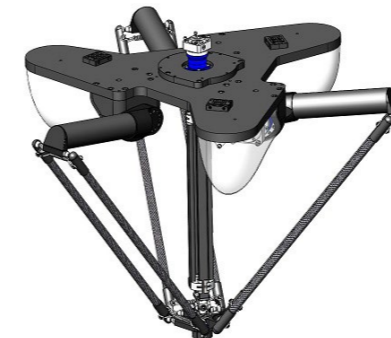
No rotation

Accessory

Calibration tool

D4-1300-S040-R200 & D4-1600-S040-R200

D4 Robot Mechanics



Performance

Working range: \varnothing 1300 x 450 mm, \varnothing 1600 x 550 mm

Noise level: <68 dB (A)

Payload: 20 kg

Pick & place actions: up to 110 p/min

Position repeatability: +/- 0.1 mm

Options

LW: Lower washdown IP65

Flat TCP

Rotation axis

R20 (standard): 19 Nm

R30: 24 Nm

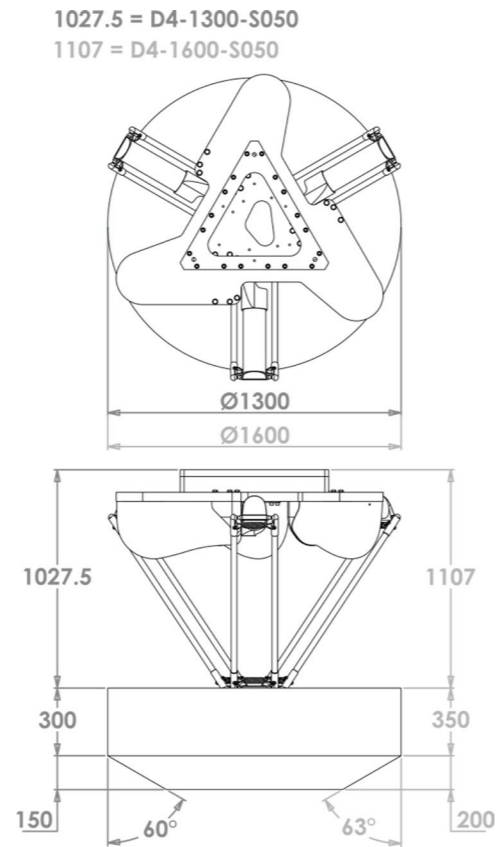
RH21: 19 Nm washdown

Accessory

Calibration tool

D4-1300-S050 & D4-1600-S050

D4 Robot Mechanics



Performance

Working range: $\text{Ø}1300 \times 450$ mm, $\text{Ø}1600 \times 550$ mm

Noise level: <68 dB (A)

Payload: 35 kg

Pick & place actions: up to 110 p/min

Position repeatability: +/- 0.1 mm

Options

LW: Lower washdown IP65

Flat TCP

Rotation axis

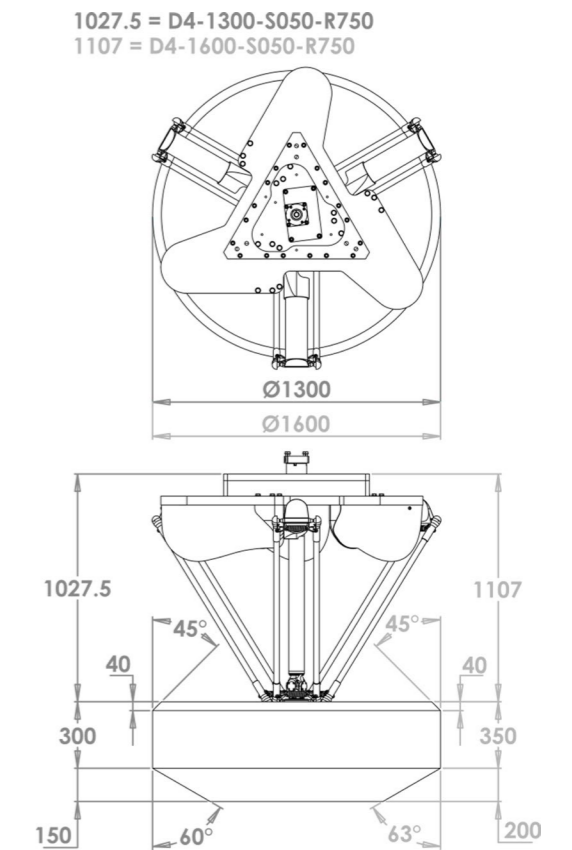
No rotation

Accessory

Calibration tool

D4-1300-S050-R750 & D4-1600-S050-R750

D4 Robot Mechanics



Performance

Working range: $\text{Ø}1300 \times 450$ mm, $\text{Ø}1600 \times 550$ mm

Noise level: <68 dB (A)

Payload: 35 kg

Pick & place actions: up to 110 p/min

Position repeatability: +/- 0.1 mm

Options

No options

Rotation axis

R75 (standard): 75 Nm

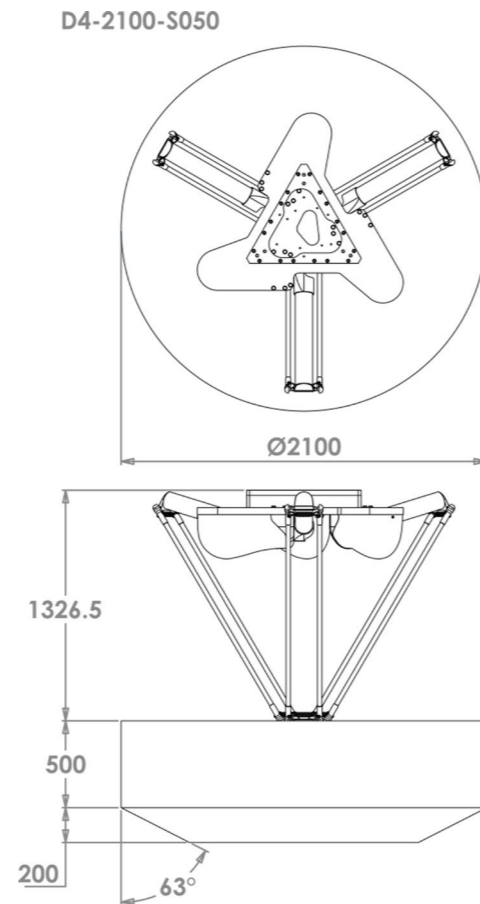
R30: 24 Nm

Accessory

Calibration tool

D4-2100-S050

D4 Robot Mechanics



Performance

Working range: Ø 2100 x 700 mm
Noise level: <68 dB (A)
Payload: 30 kg
Pick & place actions: up to 100 p/min
Position repeatability: +/- 0.2 mm

Options

No options

Rotation axis

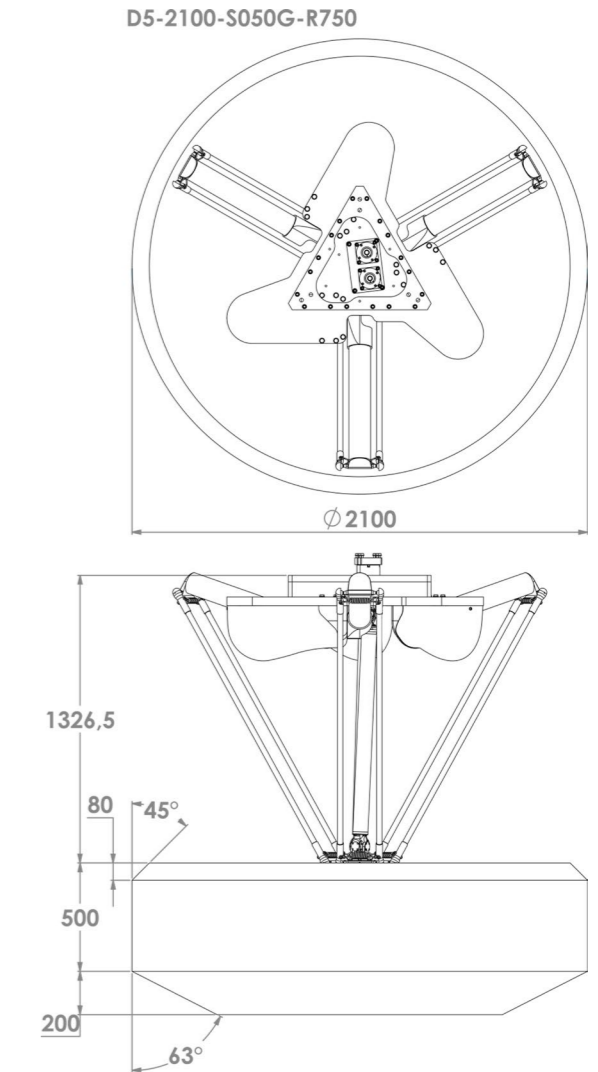
No rotation

Accessory

Calibration tool

D4-2100-S050-R750

D4 Robot Mechanics



Performance

Working range: Ø 2100 x 700 mm
Noise level: <68 dB (A)
Payload: 30 kg
Pick & place actions: up to 100 p/min
Position repeatability: +/- 0.2 mm

Options

No options

Rotation axis

R75 (Standard): 75 Nm
R30: 24 Nm

Accessory

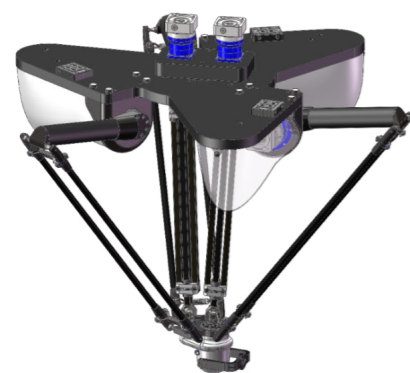
Calibration tool

D5 Series



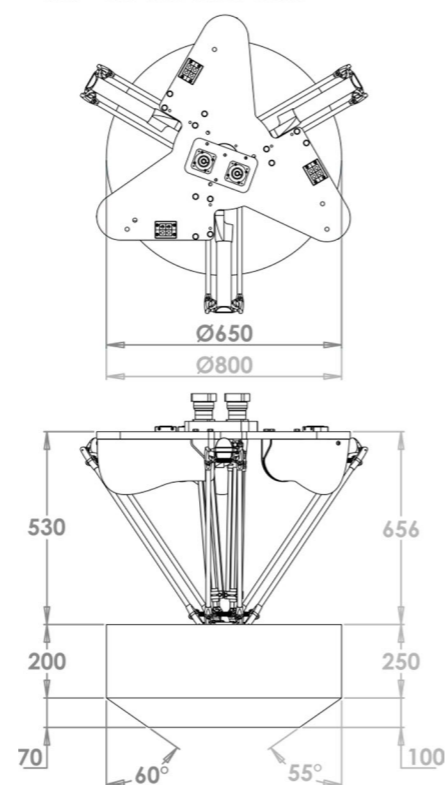
D5-650-S020-R100 & D5-800-S020-R100

D5 Robot Mechanics



530 = D5-650-S020-R100

656 = D5-800-S020-R100



Performance

Working range: Ø 650 x 270 mm, Ø 800 x 350 mm

Noise level: <68 dB (A)

Payload: 1.5 kg

Pick & place actions: up to 150 p/min

Position repeatability: +/- 0.1 mm

Limitation tilt axis: 7 Nm

Options

G: Gripper control

Rotation axis

R11 (standard): 7 Nm

Accessory

Calibration tool primary arm,
Calibration tool 5th axis

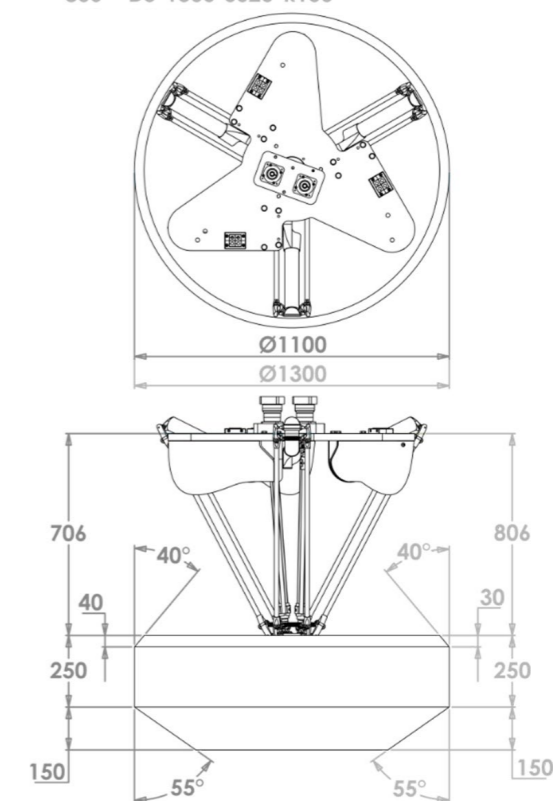
D5-1100-S020-R100 & D5-1300-S020-R100

D5 Robot Mechanics



706 = D5-1100-S020-R100

806 = D5-1300-S020-R100



Performance

Working range: Ø 1100 x 400 mm, Ø 1300 x 400 mm

Noise level: <68 dB (A)

Payload: 1.5 kg

Pick & place actions: up to 130 p/min

Position repeatability: +/- 0.1 mm

Options

G: Gripper control

Rotation axis

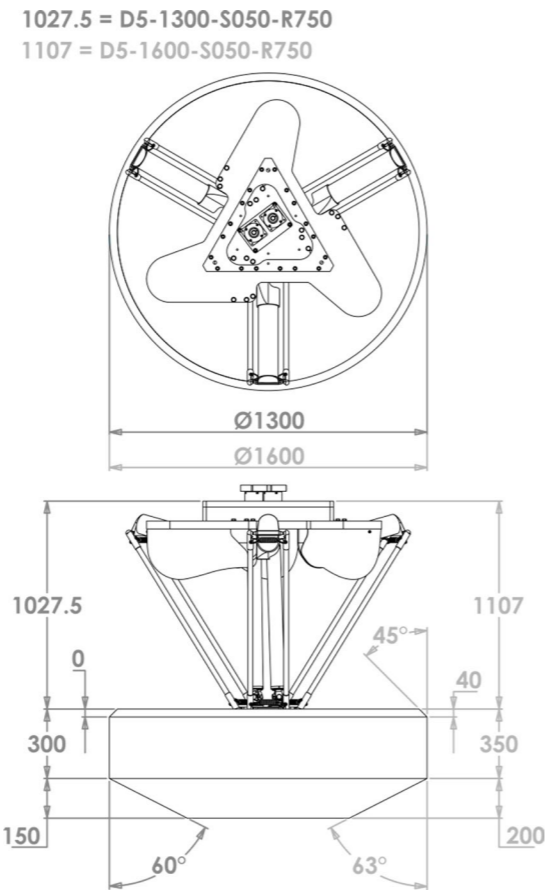
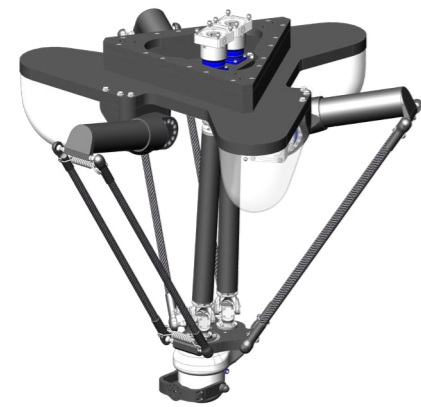
R11 (standard): 7 Nm

Accessory

Calibration tool primary arm,
Calibration tool 5th axis

D5-1300-S050-R750 & D5-1600-S050-R750

D5 Robot Mechanics



Performance

Working range: $\varnothing 1300 \times 450$ mm, $\varnothing 1600 \times 550$ mm
Noise level: <68 dB (A)
Payload: 25 kg
Pick & place actions: up to 110 p/min
Position repeatability: +/- 0.1 mm
Limitation tilt axis: 50 Nm

Options

G: Gripper control

Rotation axis

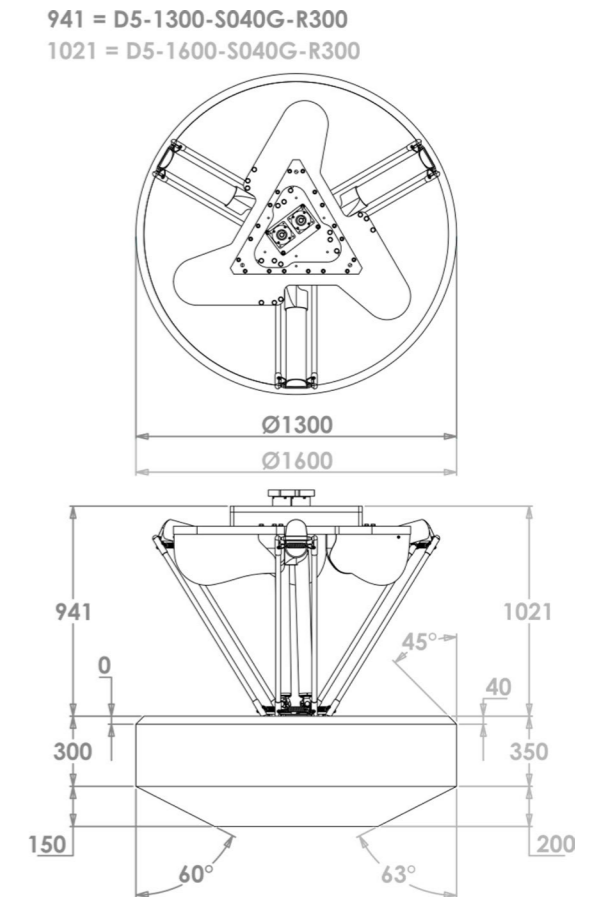
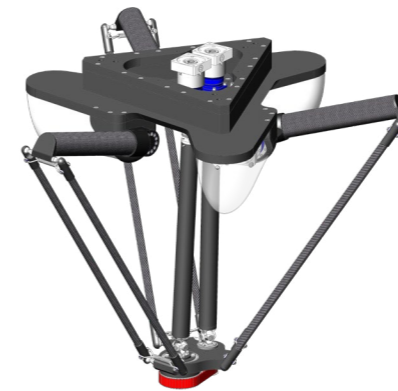
R75 (standard): 75 Nm
R30: 24 Nm

Accessory

Calibration tool

D5-1300-S040G-R300 & D5-1600-S040G-R300

D5 Robot Mechanics



Performance

Working range: $\varnothing 1300 \times 450$ mm, $\varnothing 1600 \times 550$ mm
Noise level: <68 dB (A)
Payload: 15 kg
Pick & place actions: up to 110 p/min
Position repeatability: +/- 0.1 mm

Options

No options

Rotation axis

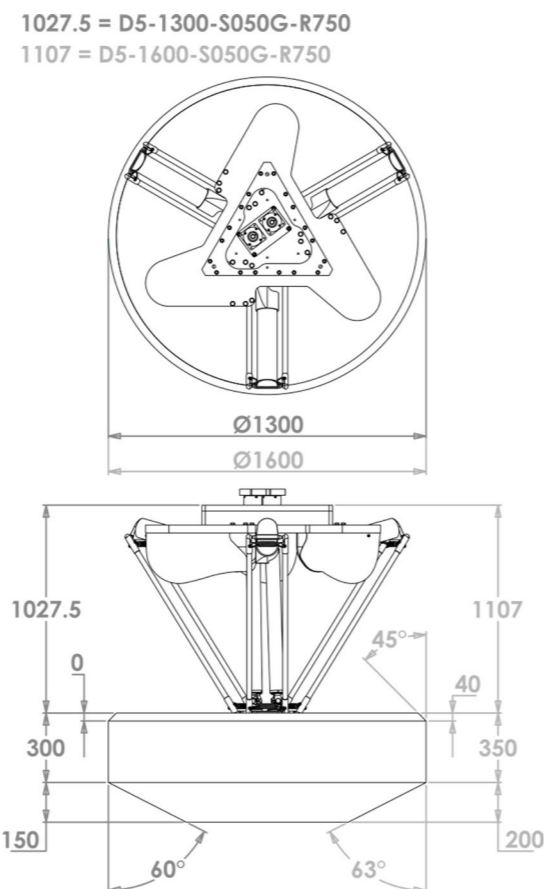
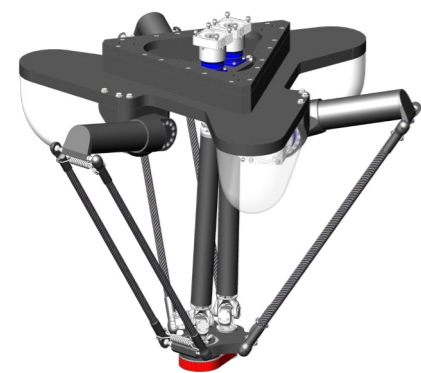
R30 (standard): 24 Nm

Accessory

Calibration tool

D5-1300-S050G-R750 & D5-1600-S050G-R750

D5 Robot Mechanics



Performance

Working range: \varnothing 1300 x 450 mm, \varnothing 1600 x 550 mm
Noise level: <68 dB (A)
Payload: 35 kg
Pick & place actions: up to 100 p/min
Position repeatability: +/- 0.1 mm

Options

No options

Rotation axis

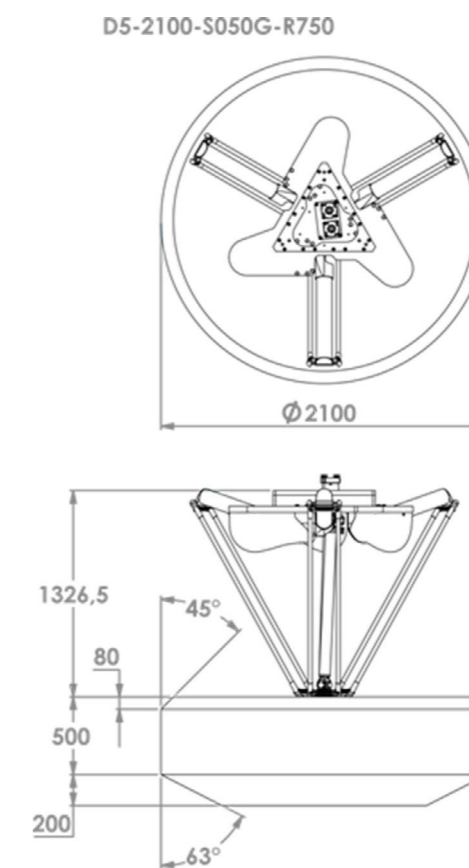
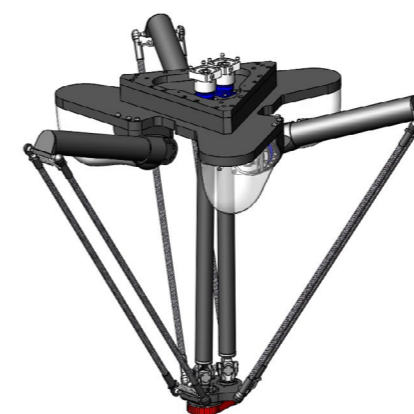
R75 (standard): 75 Nm
R30: 24 Nm

Accessory

Calibration tool

D5-2100-S050G-R750

D5 Robot Mechanics



Performance

Working range: \varnothing 2100 x 700 mm
Noise level: <68 dB (A)
Payload: 35 kg
Pick & place actions: up to 100 p/min
Position repeatability: +/- 0.1 mm

Options

No options

Rotation axis

R75 (standard): 75 Nm
R30: 24 Nm

Accessory

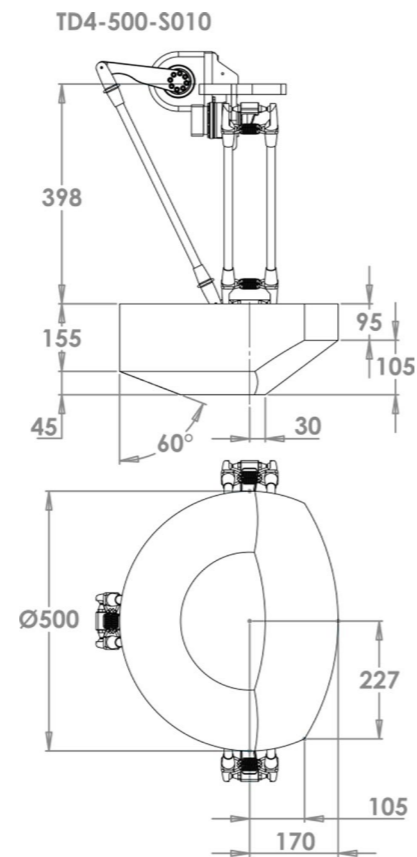
Calibration tool

TD4 & TD5 Series



TD4-500-S010

TD4 Robot Mechanics



Performance

Working range: \varnothing 500 x 200 mm
Noise level: <68 dB (A)
Payload: up to 2 kg
Pick & place actions: up to 200 p/min
Position repeatability: +/- 0.1 mm

Options

No options

Rotation axis

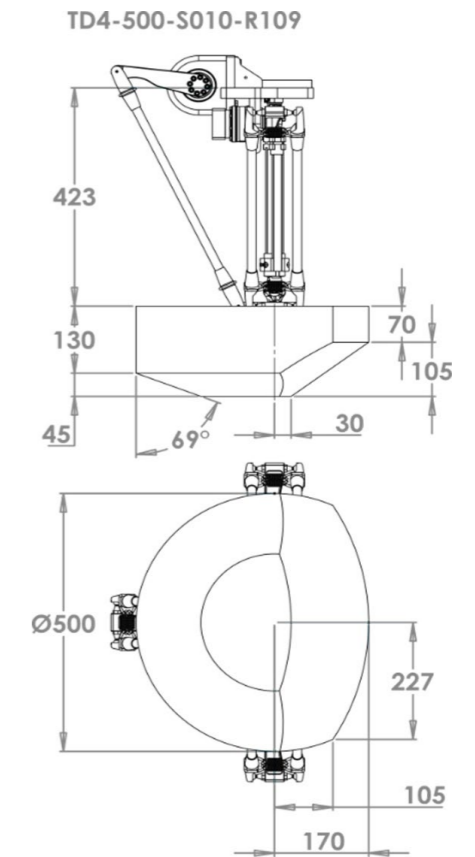
No rotation

Accessory

Calibration tool

TD4-500-S010-R109

TD4 Robot Mechanics



Performance

Working range: \varnothing 500 x 175 mm
Noise level: <68 dB (A)
Payload: up to 2 kg
Pick & place actions: up to 200 p/min
Position repeatability: +/- 0.1 mm

Options

No options

Rotation axis

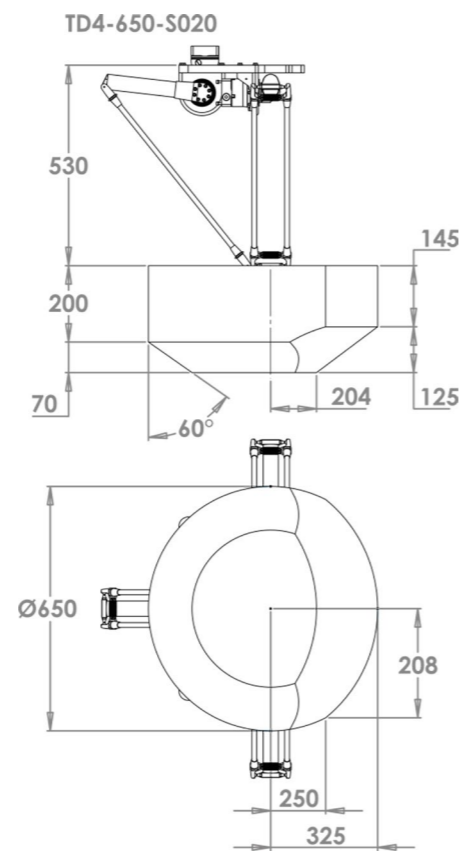
R119 (standard): 7 Nm no gear
R11: 7 Nm

Accessory

Calibration tool

TD4-650-S020

TD4 Robot Mechanics



Performance

Working range: Ø 650 x 270 mm
Noise level: <68 dB (A)
Payload: 3 kg
Pick & place actions: up to 200 p/min
Position repeatability: +/- 0.1 mm

Options

LW: Lower washdown IP65

Rotation axis

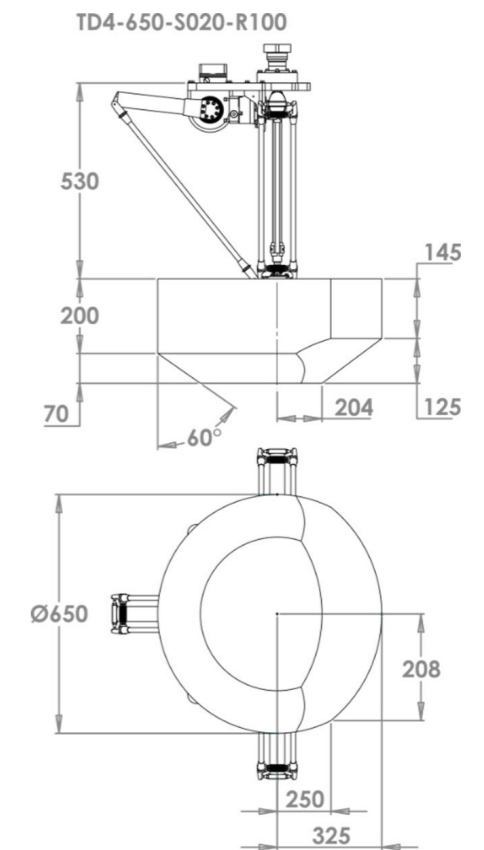
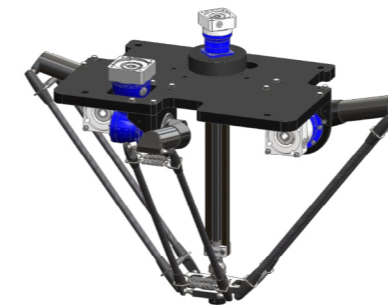
No rotation

Accessory

Calibration tool

TD4-650-S020-R100

TD4 Robot Mechanics



Performance

Working range: Ø 650 x 270 mm
Noise level: <68 dB (A)
Payload: 3 kg
Pick & place actions: up to 200 p/min
Position repeatability: +/- 0.1 mm

Options

LW: Lower washdown IP65

Rotation axis

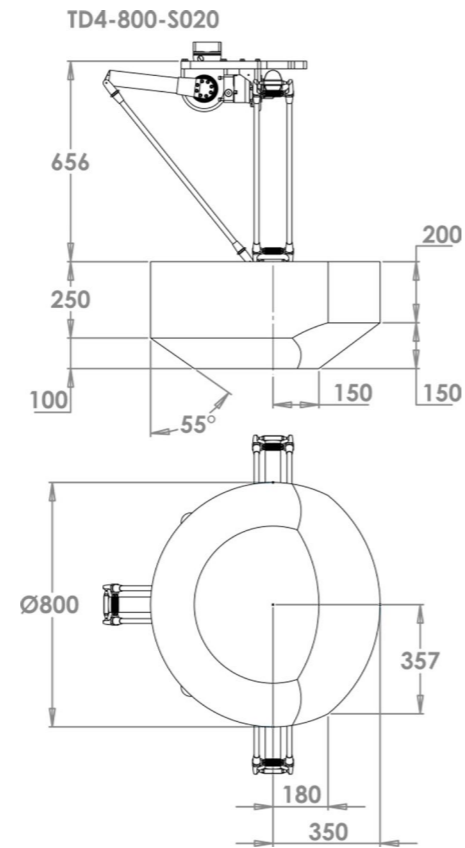
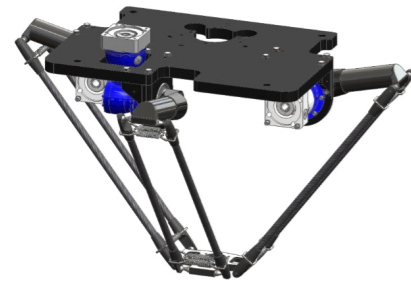
R11 (standard): 7 Nm
R20: 19 Nm
RH10: 7 Nm washdown

Accessory

Calibration tool

TD4-800-S020

TD4 Robot Mechanics



Performance

Working range: Ø 800 x 350 mm
Noise level: <68 dB (A)
Payload: 3 kg
Pick & place actions: up to 200 p/min
Position repeatability: +/- 0.1 mm

Options

LW: Lower washdown IP65

Rotation axis

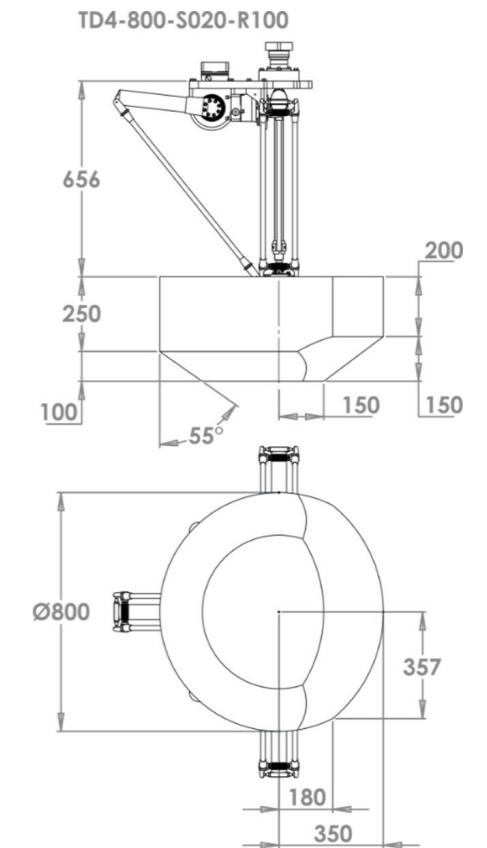
No rotation

Accessory

Calibration tool

TD4-800-S020-R100

TD4 Robot Mechanics



Performance

Working range: Ø 800 x 350 mm
Noise level: <68 dB (A)
Payload: 3 kg
Pick & place actions: up to 200 p/min
Position repeatability: +/- 0.1 mm

Options

LW: Lower washdown IP65

Rotation axis

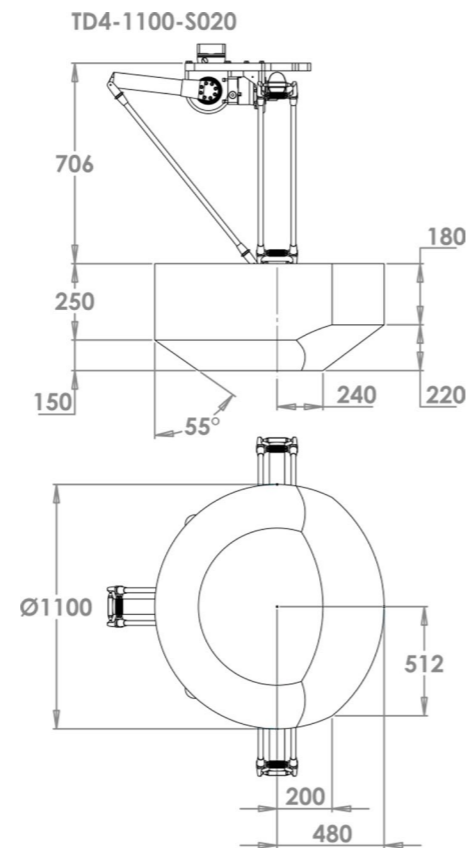
R11 (standard): 7 Nm
R20: 19 Nm
RH10: 7 Nm washdown

Accessory

Calibration tool

TD4-1100-S020

TD4 Robot Mechanics



Performance

Working range: Ø 1100 x 400 mm
Noise level: <68 dB (A)
Payload: 3 kg
Pick & place actions: up to 180 p/min
Position repeatability: +/- 0.1 mm

Options

LW: Lower washdown IP65

Rotation axis

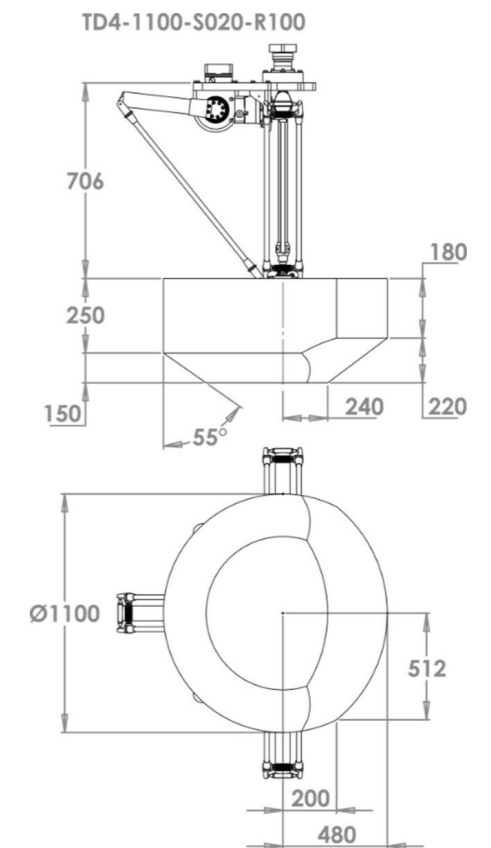
No rotation

Accessory

Calibration tool

TD4-1100-S020-R100

TD4 Robot Mechanics



Performance

Working range: Ø 1100 x 400 mm
Noise level: <68 dB (A)
Payload: 3 kg
Pick & place actions: up to 180 p/min
Position repeatability: +/- 0.1 mm

Options

LW: Lower washdown IP65

Rotation axis

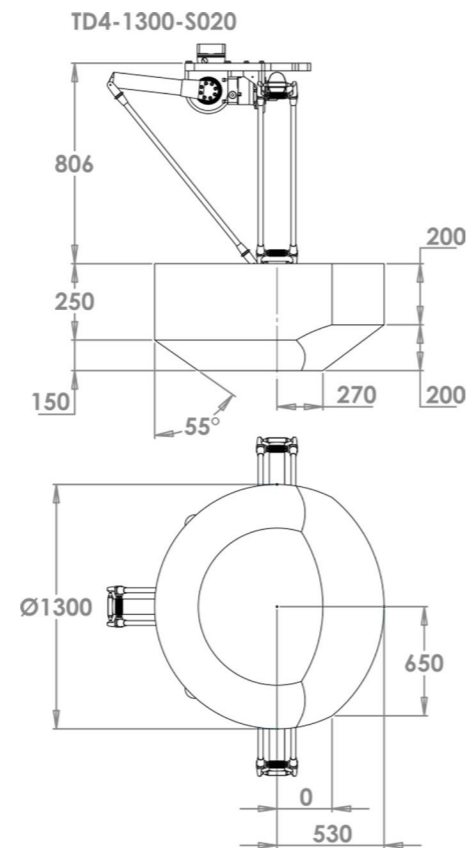
R11 (standard): 7 Nm
R20: 19 Nm
RH10: 7 Nm washdown
RH21: 19 Nm washdown

Accessory

Calibration tool

TD4-1300-S020

TD4 Robot Mechanics



Performance

Working range: Ø 1300 x 400 mm
Noise level: <68 dB (A)
Payload: 3 kg
Pick & place actions: up to 150 p/min
Position repeatability: +/- 0.1 mm

Options

LW: Lower washdown IP65

Rotation axis

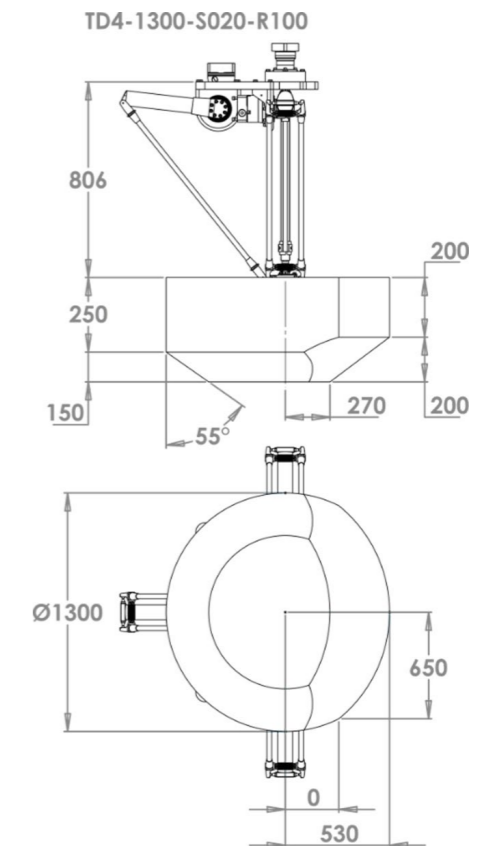
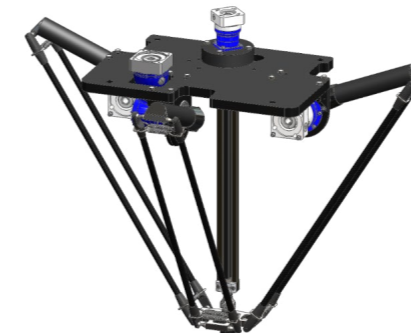
No rotation

Accessory

Calibration tool

TD4-1300-S020-R100

TD4 Robot Mechanics



Performance

Working range: Ø 1300 x 400 mm
Noise level: <68 dB (A)
Payload: 3 kg
Pick & place actions: up to 150 p/min
Position repeatability: +/- 0.1 mm

Options

LW: Lower washdown IP65

Rotation axis

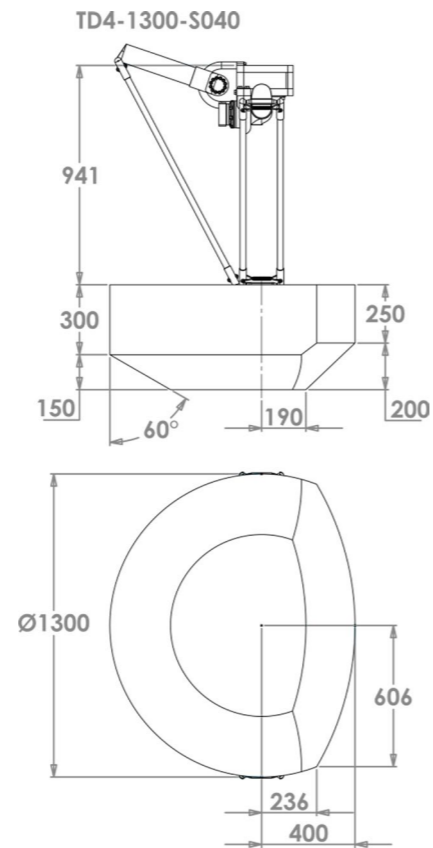
R11 (standard): 7 Nm
R20: 19 Nm
RH10: 7 Nm washdown
RH21: 19 Nm washdown

Accessory

Calibration tool

TD4-1300-S040

TD4 Robot Mechanics



Performance

Working range: Ø 1300 x 450 mm
Noise level: <68 dB (A)
Payload: 12 kg
Pick & place actions: up to 100 p/min
Position repeatability: +/- 0.1 mm

Options

LW: Lower washdown IP65

Rotation axis

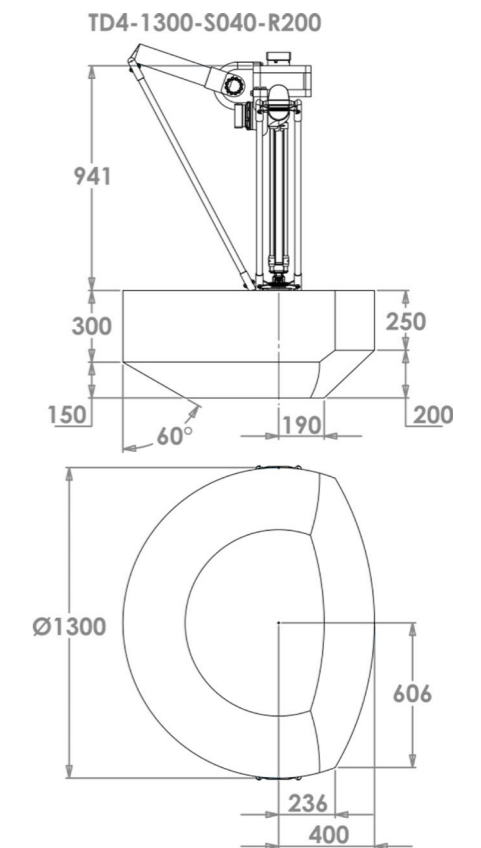
No rotation

Accessory

Calibration tool

TD4-1300-S040-R200

TD4 Robot Mechanics



Performance

Working range: Ø 1300 x 450 mm
Noise level: <68 dB (A)
Payload: 12 kg
Pick & place actions: up to 100 p/min
Position repeatability: +/- 0.1 mm

Options

LW: Lower washdown IP65

Rotation axis

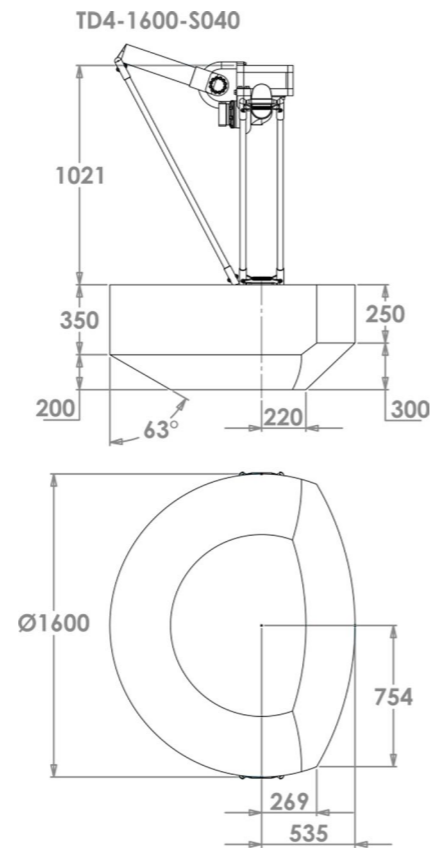
R20 (standard): 19 Nm
R30: 24 Nm
RH21: 19 Nm washdown

Accessory

Calibration tool

TD4-1600-S040

TD4 Robot Mechanics



Performance

Working range: Ø 1600 x 550 mm
Noise level: <68 dB (A)
Payload: 12 kg
Pick & place actions: up to 100 p/min
Position repeatability: +/- 0.1 mm

Options

LW: Lower washdown IP65

Rotation axis

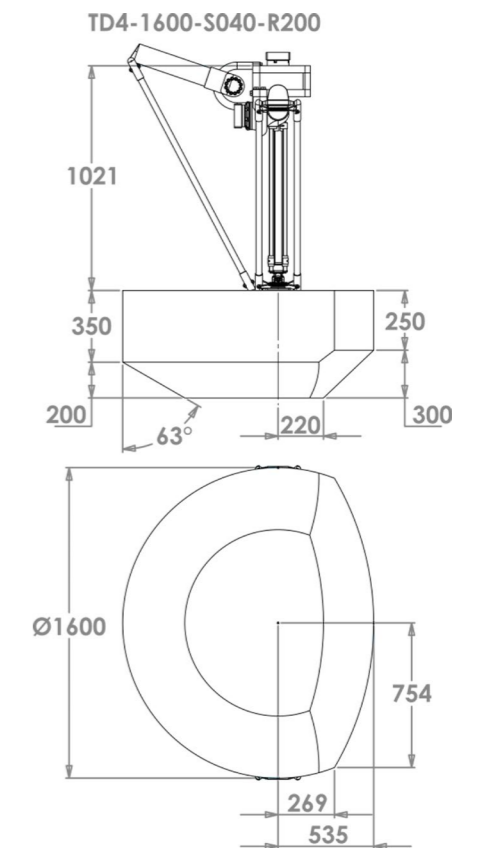
No rotation

Accessory

Calibration tool

TD4-1600-S040-R200

TD4 Robot Mechanics



Performance

Working range: Ø 1600 x 550 mm
Noise level: <68 dB (A)
Payload: 12 kg
Pick & place actions: up to 100 p/min
Position repeatability: +/- 0.1 mm

Options

LW: Lower washdown IP65

Rotation axis

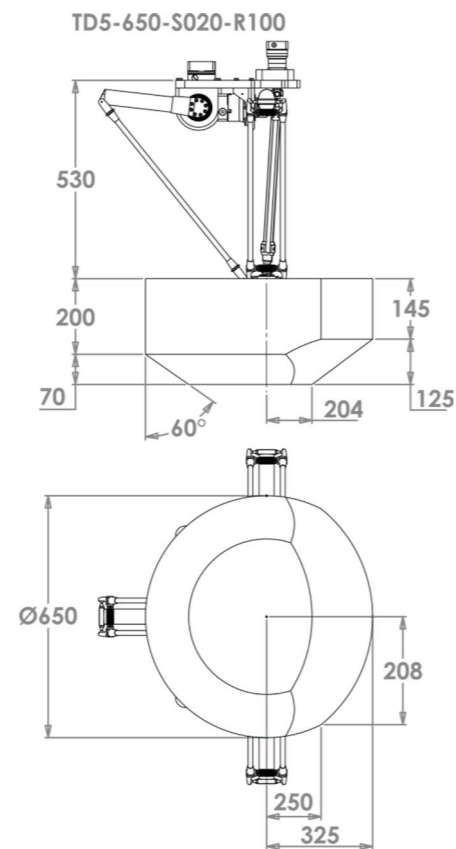
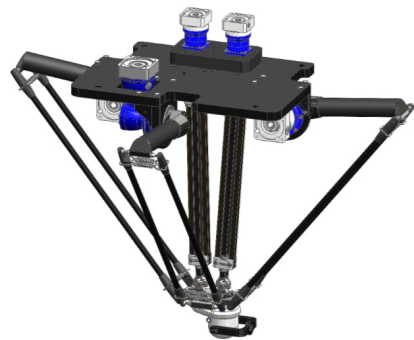
R20 (standard): 19 Nm
R30: 24 Nm
RH21: 19 Nm washdown

Accessory

Calibration tool

TD5-650-S020-R100

TD5 Robot Mechanics



Performance

Working range: Ø 650 x 270 mm
Noise level: <68 dB (A)
Payload: 1.5 kg
Pick & place actions: up to 150 p/min
Position repeatability: +/- 0.1 mm
Limitation tilt axis: 7 Nm

Options

G: Gripper control

Rotation axis

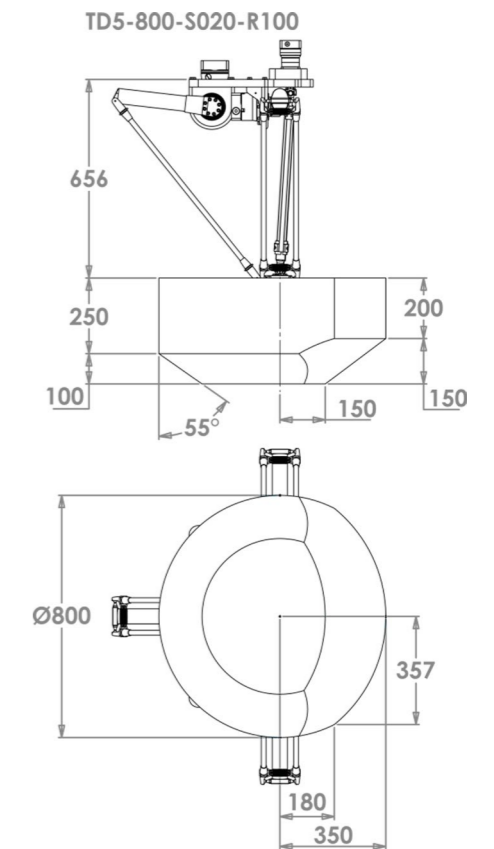
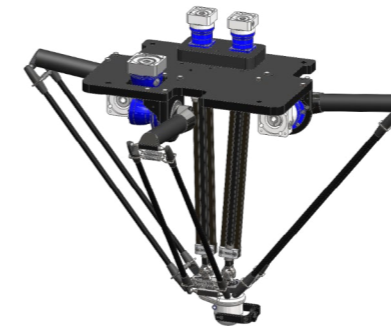
R11: 7 Nm

Accessory

Calibration tool primary arm,
Calibration tool 5th axis

TD5-800-S020-R100

TD5 Robot Mechanics



Performance

Working range: Ø 800 x 350 mm
Noise level: <68 dB (A)
Payload: 1.5 kg
Pick & place actions: up to 130 p/min
Position repeatability: +/- 0.1 mm
Limitation tilt axis: 7 Nm

Options

G: Gripper control

Rotation axis

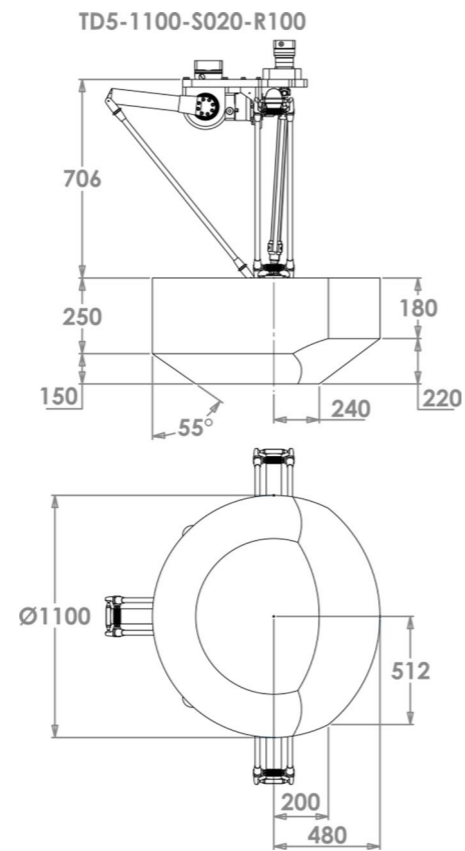
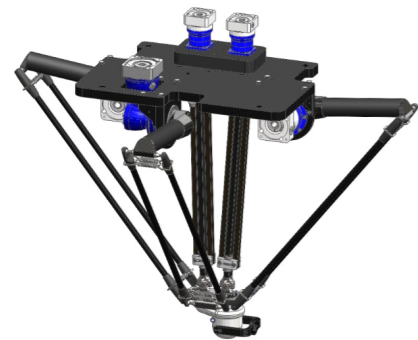
R11: 7 Nm

Accessory

Calibration tool primary arm,
Calibration tool 5th axis

TD5-1100-S020-R100

TD5 Robot Mechanics



Performance

Working range: \varnothing 1100 x 400 mm
Noise level: <68 dB (A)
Payload: 1.5 kg
Pick & place actions: up to 150 p/min
Position repeatability: +/- 0.1 mm
Limitation tilt axis: 7 Nm

Options

G: Gripper control

Rotation axis

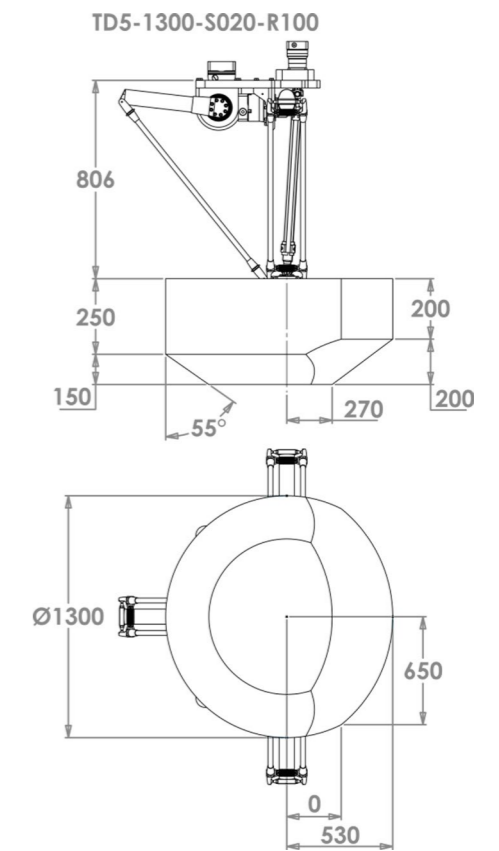
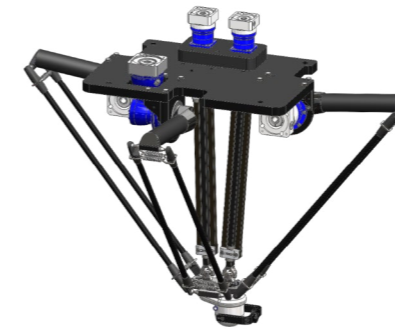
R11: 7 Nm

Accessory

Calibration tool primary arm,
Calibration tool 5th axis

TD5-1300-S020-R100

TD5 Robot Mechanics



Performance

Working range: \varnothing 1300 x 400 mm
Noise level: <68 dB (A)
Payload: 1.5 kg
Pick & place actions: up to 120 p/min
Position repeatability: +/- 0.1 mm
Limitation tilt axis: 7 Nm

Options

G: Gripper control

Rotation axis

R11: 7 Nm

Accessory

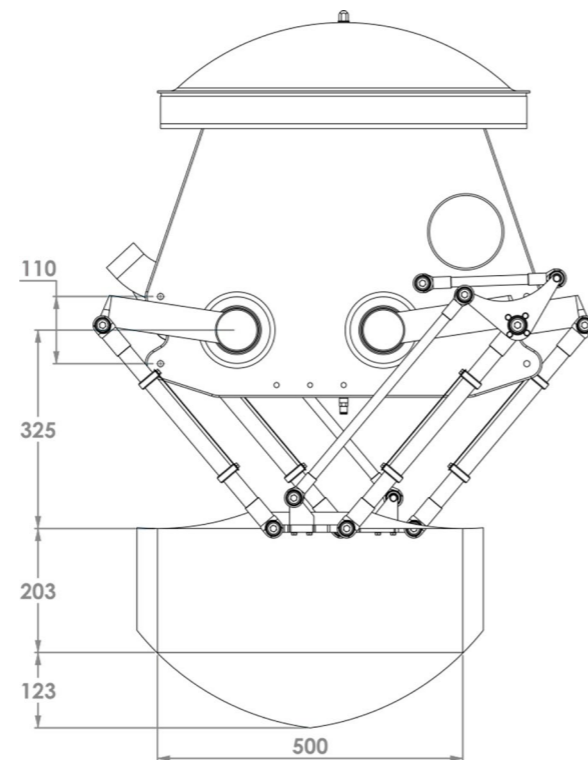
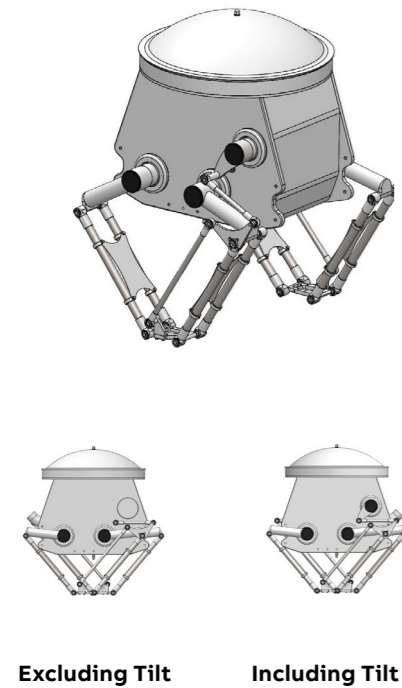
Calibration tool primary arm,
Calibration tool 5th axis

HHD Series



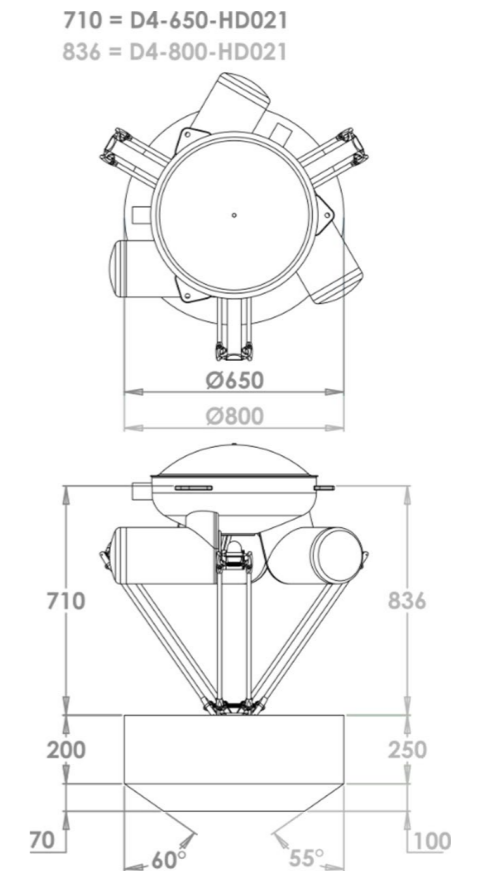
D2-500-DUO021

HD Robot Mechanics



D4-650-HD021 & D4-800-HD021

HD Robot Mechanics



Performance

Working range: Ø 500 x 326 mm
Noise level: <68 dB (A)
Payload: 3 kg
Pick & place actions: up to 140 p/min
Position repeatability: +/- 0.1 mm
Protection rating: IP69K

Options

Config 1, Config 2, Config 3, Config 4, Config 5
 For more information about the configuration options please contact:
Sales@Codian-robotics.com
T: Tilt option

Rotation axis

No rotation

Accessory

Calibration tool primary arm,
 Calibration tool tilt axis

Performance

Working range: Ø 650 x 270 mm, Ø 800 x 350 mm
Noise level: <68 dB (A)
Payload: 3 kg
Pick & place actions: up to 200 p/min
Position repeatability: +/- 0.1 mm IP69K
Protection rating: IP69K

Options

Cable exit solutions

Rotation axis

No rotation

Accessory

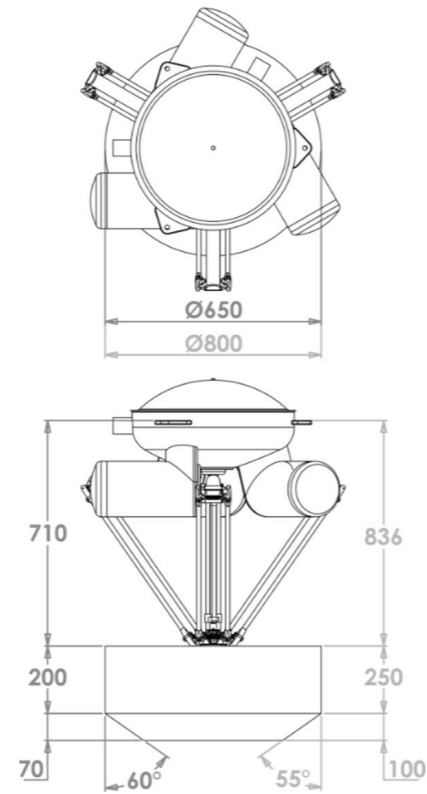
Calibration tool

D4-650-HD021-RH090 & D4-800-HD021-RH090

HD Robot Mechanics



710 = D4-650-HD021-RH090
836 = D4-800-HD021-RH090



Performance

Working range: Ø 650 x 270 mm, Ø 800 x 350 mm
Noise level: <68 dB (A)
Payload: 3 kg
Pick & place actions: up to 200 p/min
Position repeatability: +/- 0.1 mm
Protection rating: IP69K

Options

Cable exit solutions

Rotation axis

RH10 (standard): 7 Nm IP69K
RH21: 19 Nm IP69K

Accessory

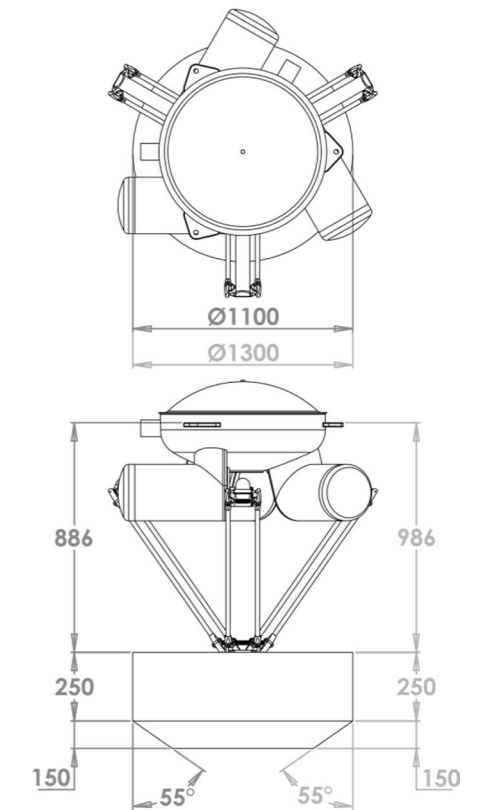
Calibration tool

D4-1100-HD021 & D4-1300-HD021

HD Robot Mechanics



886 = D4-1100-HD021
986 = D4-1300-HD021



Performance

Working range: Ø 1100 x 400 mm, Ø 1300 x 400 mm
Noise level: <68 dB (A)
Payload: 3 kg
Pick & place actions: up to 150 p/min
Position repeatability: +/- 0.1 mm
Protection rating: IP69K

Options

Cable exit solutions

Rotation axis

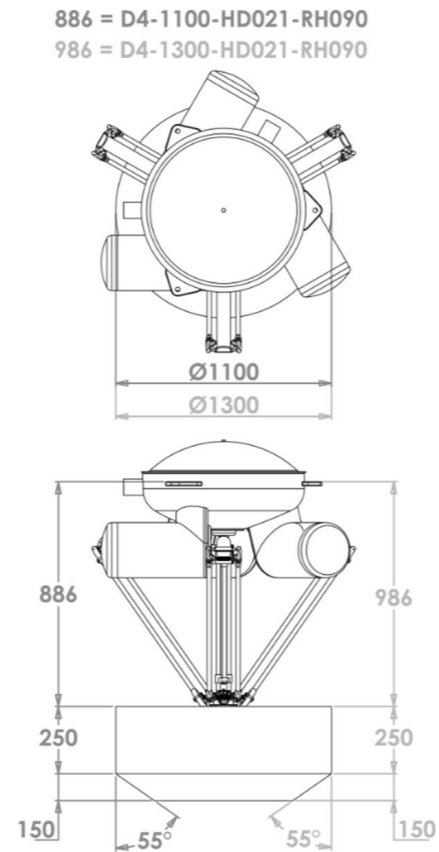
No rotation

Accessory

Calibration tool

D4-1100-HD021-RH090 & D4-1300-HD021-RH090

HD Robot Mechanics



Performance

Working range: Ø 1100 x 400 mm, Ø 1300 x 400 mm
Noise level: <68 dB (A)
Payload: 3 kg
Pick & place actions: up to 150 p/min
Position repeatability: +/- 0.1 mm
Protection rating: IP69K

Options

Cable exit solutions

Rotation axis

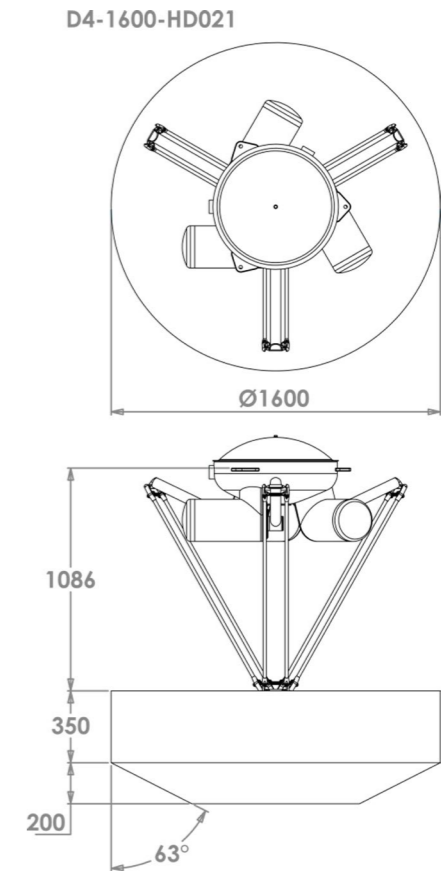
RH10 (standard): 7 Nm IP69K
RH21: 19 Nm IP69K

Accessory

Calibration tool

D4-1600-HD021

HD Robot Mechanics



Performance

Working range: Ø 1600 x 350 mm
Noise level: <68 dB (A)
Payload: 2.5 kg
Pick & place actions: up to 120 p/min
Position repeatability: +/- 0.1 mm
Protection rating: IP69K

Options

Cable exit solutions

Rotation axis

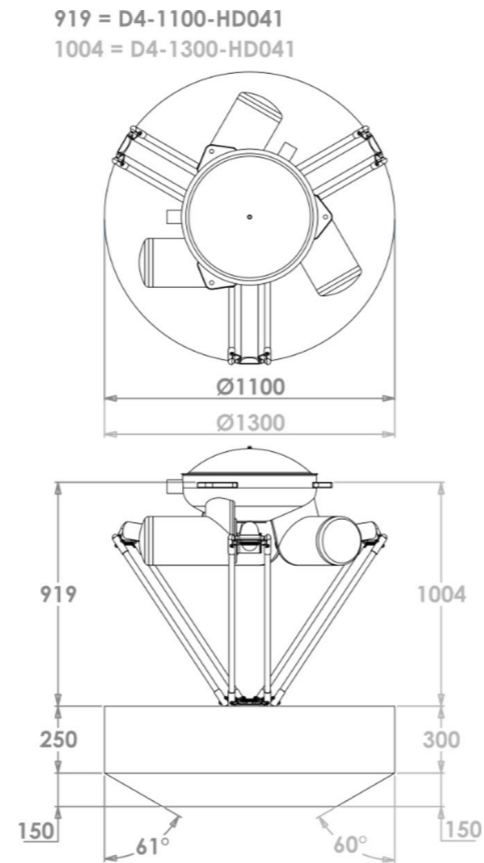
No rotation

Accessory

Calibration tool

D4-1100-HD041 & D4-1300-HD041

HD Robot Mechanics



Performance

Working range: Ø 1100 x 400 mm, Ø 1300 x 450 mm
Noise level: <68 dB (A)
Payload: 20 kg
Pick & place actions: up to 120 p/min
Position repeatability: +/- 0.1 mm
Protection rating: IP69K

Options

Cable exit solutions

Rotation axis

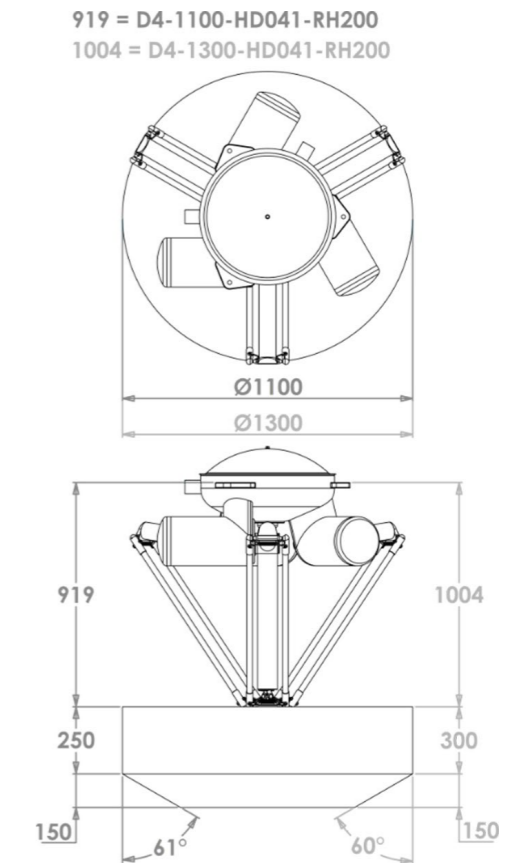
No rotation

Accessory

Calibration tool

D4-1100-HD041-RH200 & D4-1300-HD041-RH200

HD Robot Mechanics



Performance

Working range: Ø 1100 x 400 mm, Ø 1300 x 450 mm
Noise level: <68 dB (A)
Payload: 20 kg
Pick & place actions: up to 120 p/min
Position repeatability: +/- 0.1 mm
Protection rating: IP69K

Options

Cable exit solutions

Rotation axis

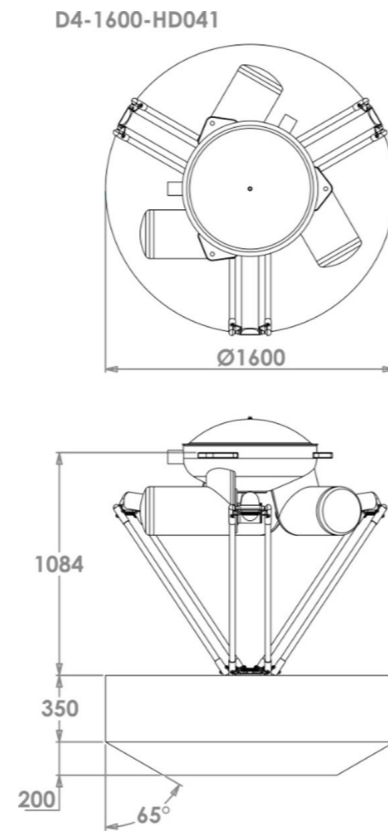
RH21 (standard): 19 Nm IP69K

Accessory

Calibration tool

D4-1600-HD041

HD Robot Mechanics



Performance

Working range: Ø 1600 x 550 mm
Noise level: <68 dB (A)
Payload: 20 kg
Pick & place actions: up to 90 p/min
Position repeatability: +/- 0.1 mm
Protection rating: IP69K

Options

Cable exit solutions

Rotation axis

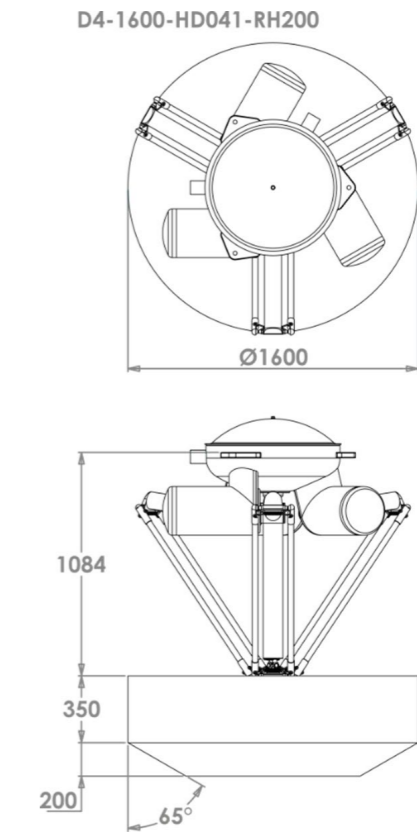
No rotation

Accessory

Calibration tool

D4-1600-HD041-RH200

HD Robot Mechanics



Performance

Working range: Ø 1600 x 550 mm
Noise level: <68 dB (A)
Payload: 20 kg
Pick & place actions: up to 90 p/min
Position repeatability: +/- 0.1 mm
Protection rating: IP69K

Options

Cable exit solutions

Rotation axis

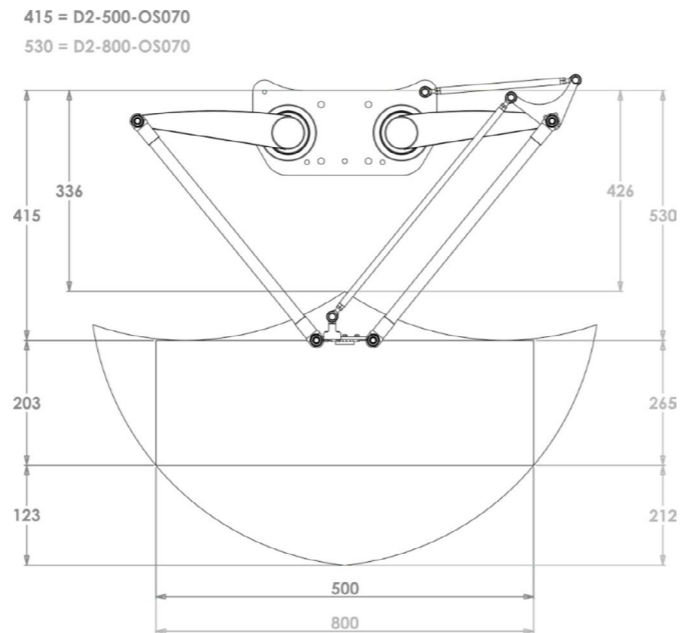
RH21 (standard): 19 Nm IP69K

Accessory

Calibration tool

D2-500-OS070 & D2-800-OS070

HD Robot Mechanics



Performance

Working range: 500 x 326 mm, 800 x 477 mm
Noise level: <68 dB (A)
Payload: 3 kg
Pick & place actions: up to 200 p/min
Position repeatability: +/- 0.1 mm
Protection rating: IP69K

Options

No options

Rotation axis

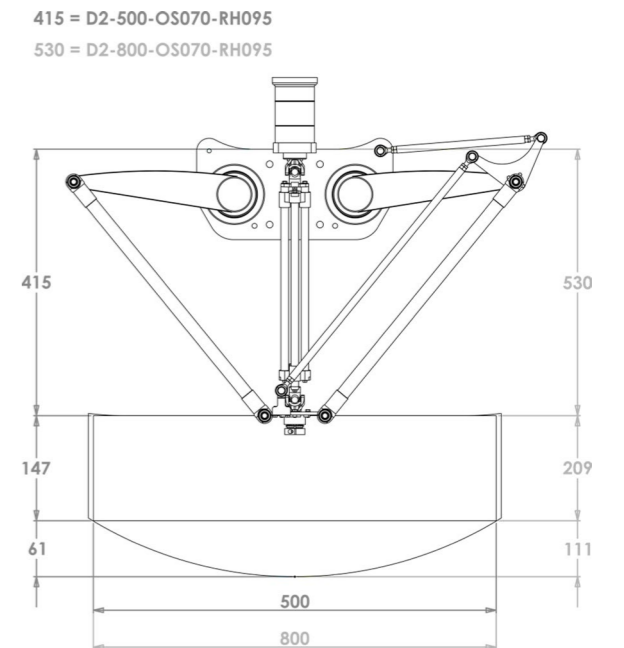
No rotation

Accessory

Calibration tool

D2-500-OS070-RH095 & D2-800-OS070-RH095

HD Robot Mechanics



Performance

Working range: 500 x 208 mm, 800 x 320 mm
Noise level: <68 dB (A)
Payload: 3 kg
Pick & place actions: up to 200 p/min
Position repeatability: +/- 0.1 mm
Protection rating: IP69K

Options

No options

Rotation axis

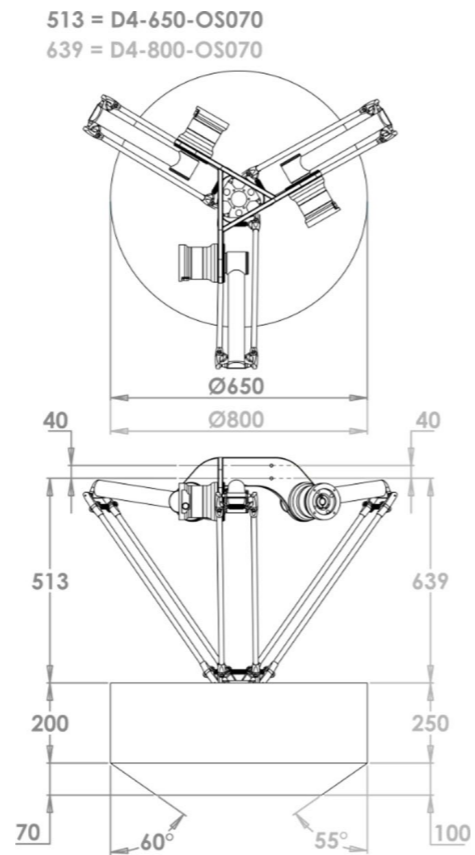
RH10 (standard): 7 Nm IP69K

Accessory

Calibration tool

D4-650-OS070 & D4-800-OS070

HD Robot Mechanics



Performance

Working range: Ø 650 x 270 mm, Ø 800 x 350 mm
Noise level: <68 dB (A)
Payload: 3 kg
Pick & place actions: up to 200 p/min
Position repeatability: +/- 0.1 mm
Protection rating: <68 dB (A)

Options

No options

Rotation axis

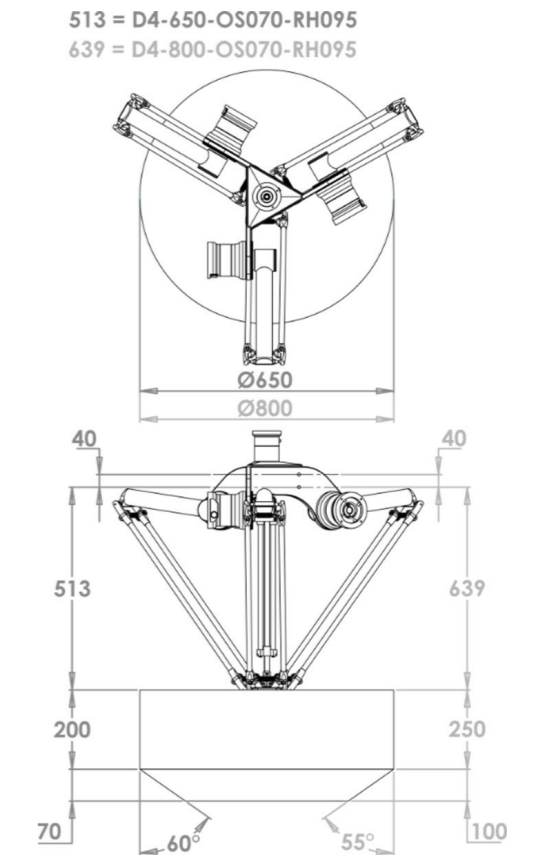
No rotation

Accessory

Calibration tool

D4-650-OS070-RH095 & D4-800-OS070-RH095

HD Robot Mechanics



Performance

Working range: Ø 650 x 270 mm, Ø 800 x 350 mm
Noise level: <68 dB (A)
Payload: 3 kg
Pick & place actions: up to 200 p/min
Position repeatability: +/- 0.1 mm
Protection rating: IP69K

Options

No options

Rotation axis

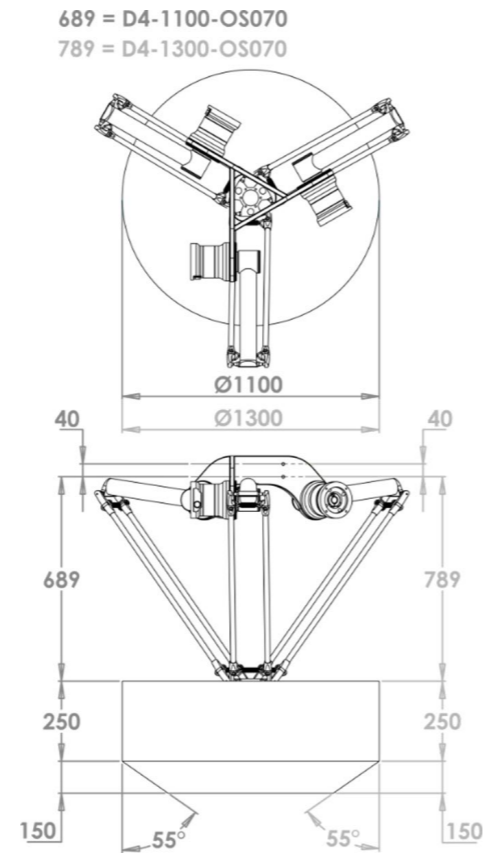
RH10 (standard): 7 Nm IP69K

Accessory

Calibration tool

D4-1100-OS070 & D4-1300-OS070

HD Robot Mechanics



Performance

Working range: Ø 1100 x 400 mm, Ø 1300 x 400 mm
Noise level: <68 dB (A)
Payload: 3 kg
Pick & place actions: up to 150 p/min
Position repeatability: +/- 0.1 mm
Protection rating: IP69K

Options

No options

Rotation axis

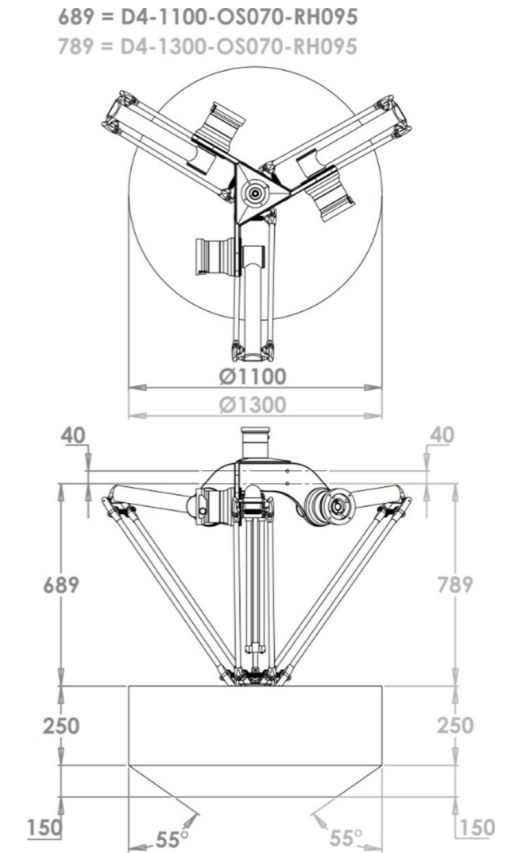
No rotation

Accessory

Calibration tool

D4-1100-OS070-RH095 & D4-1300-OS070-RH095

HD Robot Mechanics



Performance

Working range: Ø 1100 x 400 mm, Ø 1300 x 400 mm
Noise level: <68 dB (A)
Payload: 3 kg
Pick & place actions: up to 150 p/min
Position repeatability: +/- 0.1 mm
Protection rating: IP69K

Options

No options

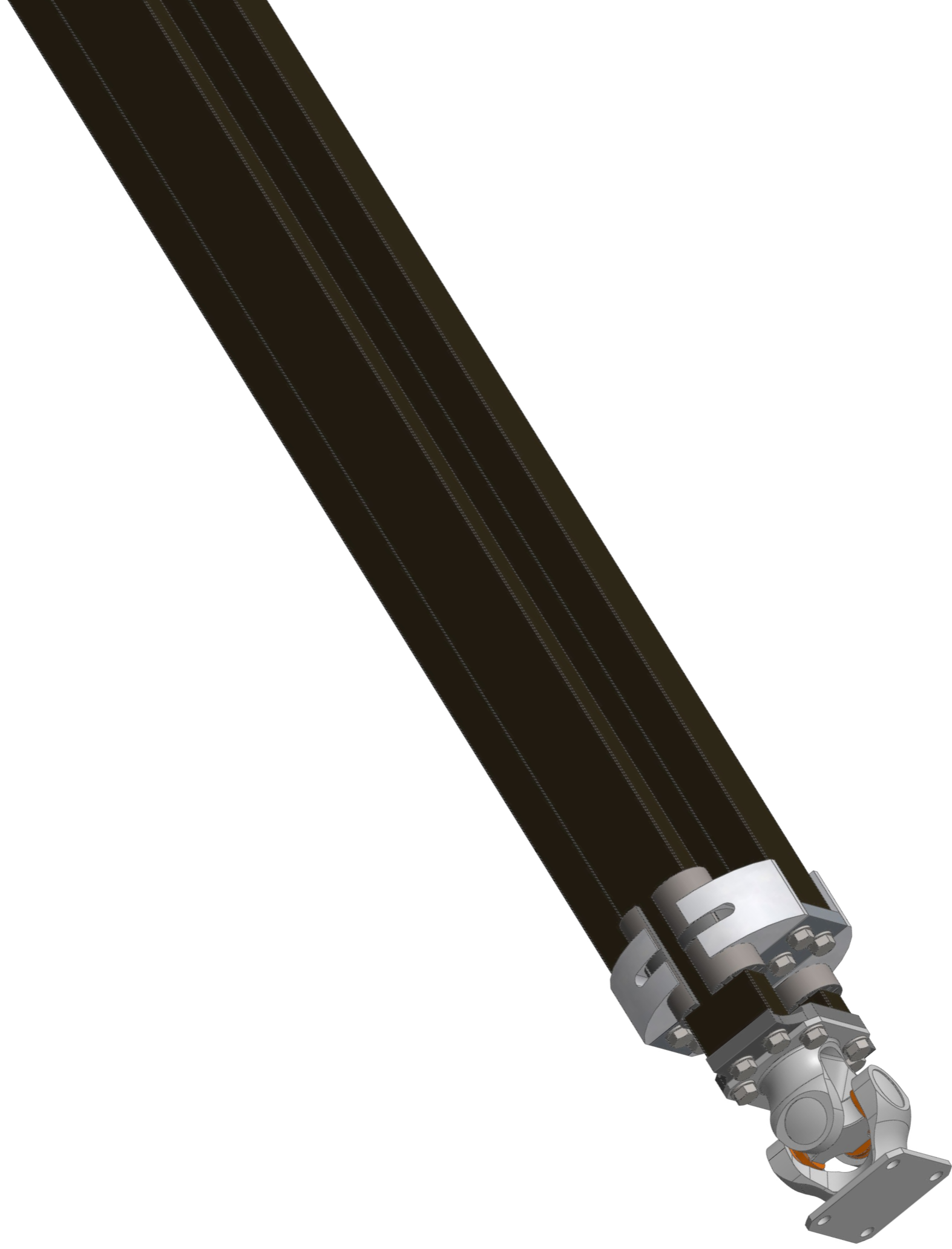
Rotation axis

RH10 (standard): 7 Nm IP69K

Accessory

Calibration tool

Rotation axes



Rotation axes

R11



Performance

Maximum Torque: 7 Nm
Protection rating: IP65
Environment: Dry

Applicable for

S010 series
S020 series

Rotation axes

R30



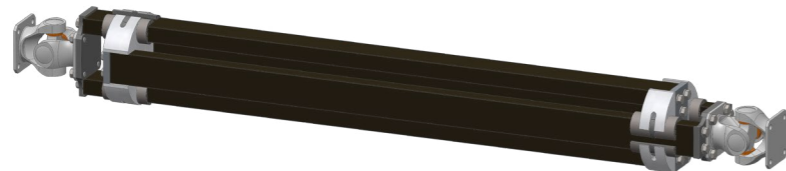
Performance

Maximum Torque: 24 Nm
Protection rating: IP65
Environment: Dry

Applicable for

S040 series
S050 series

R20



Performance

Maximum Torque: 19 Nm
Protection rating: IP65
Environment: Dry

Applicable for

S020 series
S040 series

R75



Performance

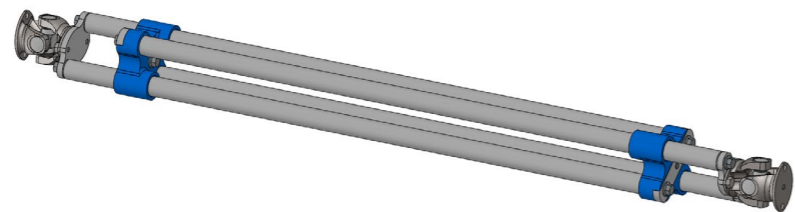
Maximum Torque: 75 Nm
Protection rating: IP65
Environment: Dry

Applicable for

S050 series

Rotation axes Hygienic Design

RH10



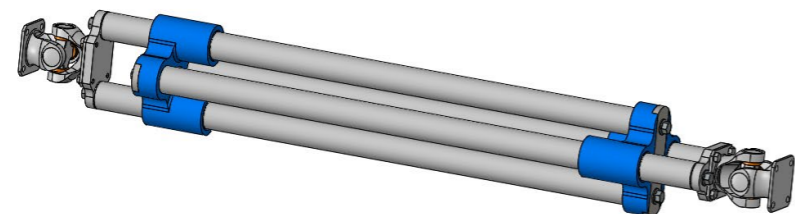
Performance

Maximum Torque: 7 Nm
Protection rating: IP69K
Environment: Dry / Wet

Applicable for

S020 series
HD021 series
OS070 series

RH21



Performance

Maximum Torque: 19 Nm
Protection rating: IP69K
Environment: Dry / Wet

Applicable for

S020 series
S040 series
HD021 series
HD041 series

Disclaimer

Codian Robotics BV at all times reserve the right to make changes or additions to the information herein without prior notice.

Codian Robotics BV shall be held liable for any damages, personal or material, arising from the use of the products in this catalog.

Copyright: © 2023 – Codian Robotics BV. All rights reserved. The (partial) reproduction, processing, distribution and other uses of this document are prohibited in whatever form. The brands and product names mentioned in this document are trademarks or registered trademarks of their respective holders.



ATTI

ATTI Srl

Via Flli Cervi,3
20063 Cernusco sul Naviglio (MI)

t +39 0292106954
commerciale@atti.it

